

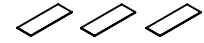
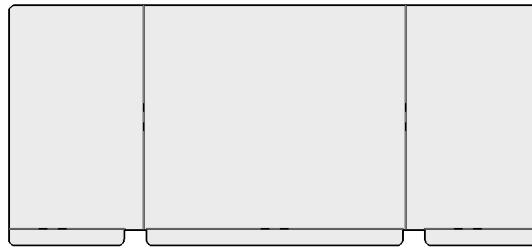
Value Desktop Sneeze Shield

ASSEMBLY INSTRUCTIONS

READ ALL INSTRUCTIONS BEFORE YOU BEGIN. DO NOT JUMP AHEAD OF ANY STEP.

PARTS LIST:

U-Shape Barrier
(1 pc)

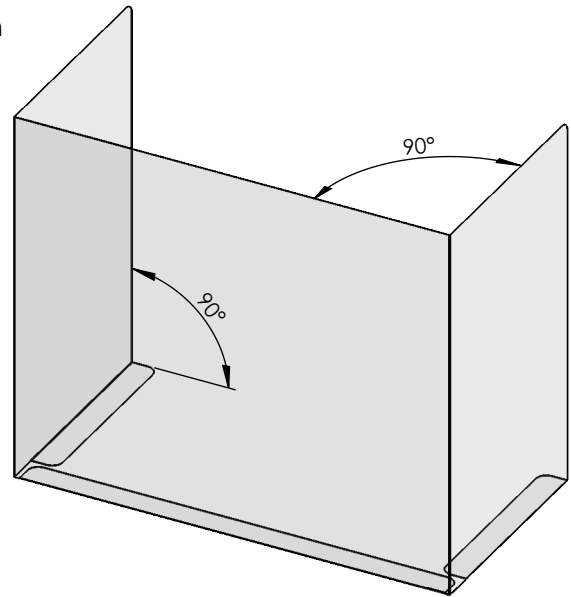


Foam Tape Strips
(3 pcs)

*NO TOOLS REQUIRED

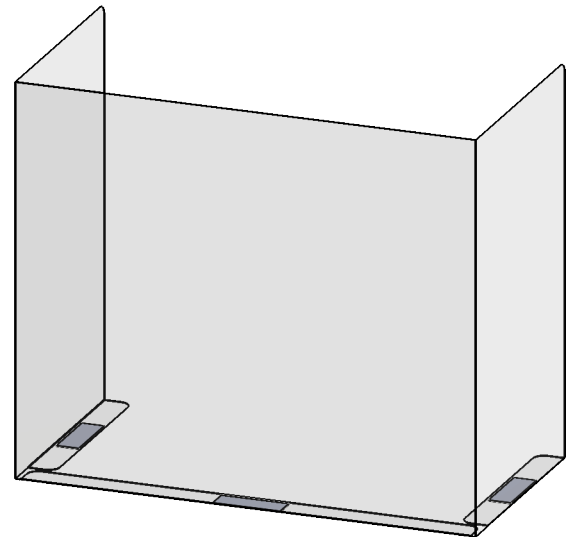
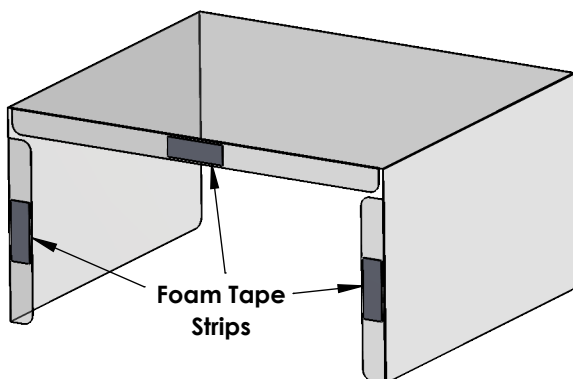
STEP 1: Peel off the protective plastic film from both sides of your U-Shape Barrier.

STEP 2: Fold sides in and bottom flaps up along pre-scored lines. (2x) Sides and (3x) bottom flaps should be folded to 90 degrees per image at right. Stand folded U-Shape Barrier up on flat surface.



STEP 3: Use the 3 supplied Foam Tape Strips to attach barrier securely to desktop. Remove one side of the liner from the tape strips and attach one strip to the middle of each bottom flap. Peel off remaining liners and stand Barrier up on flat surface in desired location. Push down on foam tape locations in order to firmly adhere your U-Shaped Barrier to desktop.

NOTE: To ensure proper adhesion of Foam Tape Strips to mounting surface, clean the area where the tape will be applied and make sure it is dry prior to mounting Barrier.



ASSEMBLY COMPLETED

14400 / 14401 / 14402