

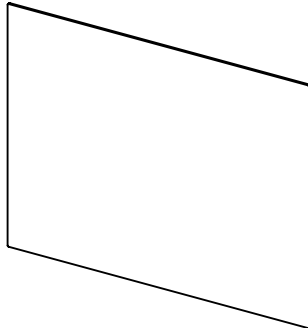
# Teachers Desk Shield

## ASSEMBLY INSTRUCTIONS

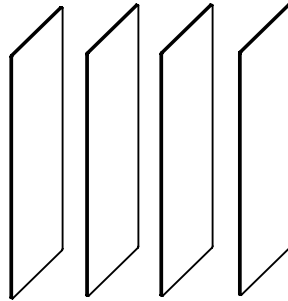
READ ALL INSTRUCTIONS BEFORE YOU BEGIN. DO NOT JUMP AHEAD OF ANY STEP.

### PARTS LIST:

Front Panel  
(1 pc)



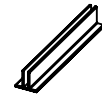
Side Panel  
(4 pcs)



Flexible  
Connector  
(4 pcs)



T Shaped  
Gripper  
Connector  
(6 pcs)

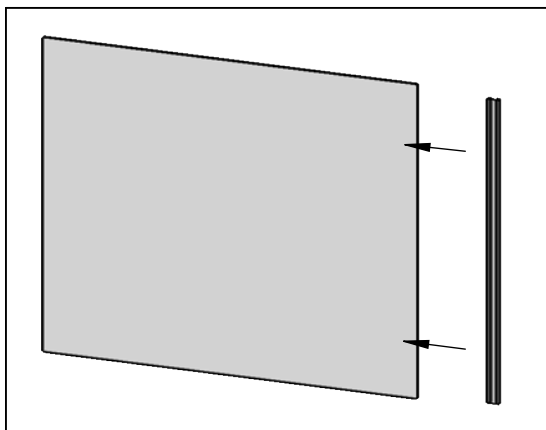


\*NO TOOLS REQUIRED  
\*TWO PERSON ASSEMBLY RECOMMENDED

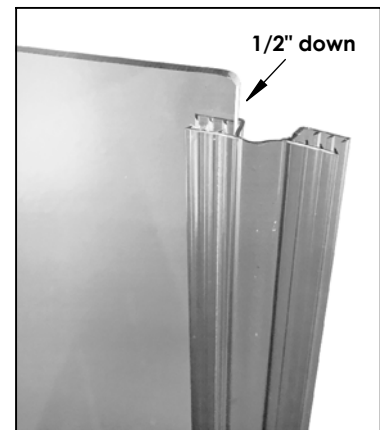
**STEP 1:** Peel off the protective plastic film from both sides of Front Panel and Side Panels.

### STEP 2:

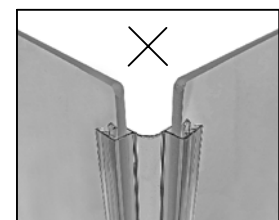
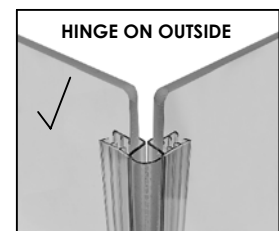
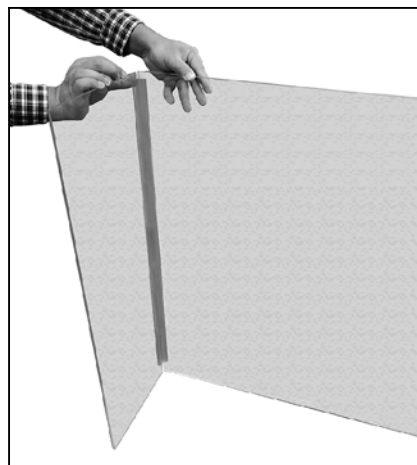
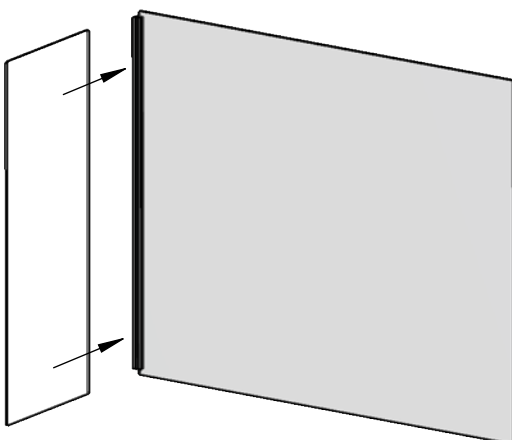
Stand Front Panel up on its long edge and push one of the Flexible connectors onto one of the shorter side edges.



**NOTE:**  
Start  
Connector  
about 1/2"  
down from  
top edge  
of Front  
Panel in  
order to  
center it  
on Panel.



**STEP 3:** Connect one of the Side Panels to open end of Flexible connector. **When connecting panels together, make sure the hinge portion of the Connectors is to the outside as shown in image below.** Also ensure top edges of Side Panel and Front Panel are flush with each other.

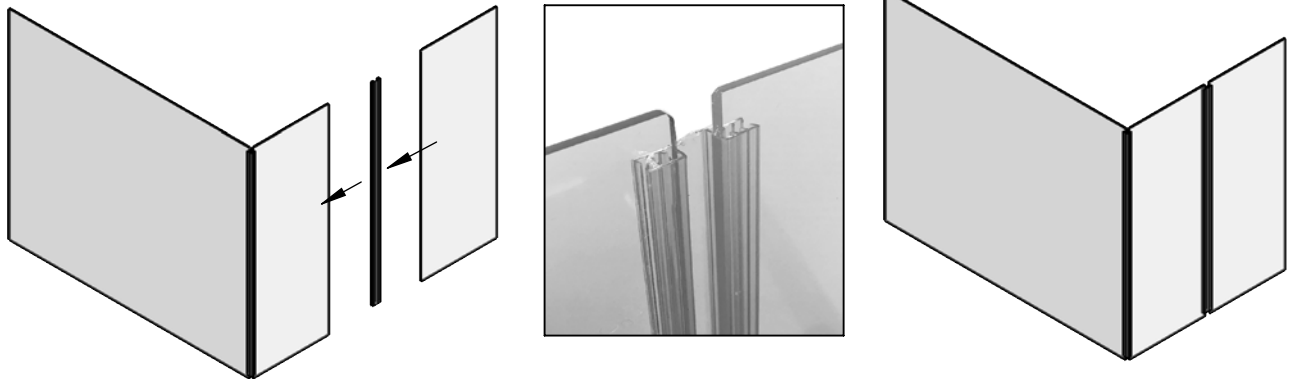


# Teachers Desk Shield

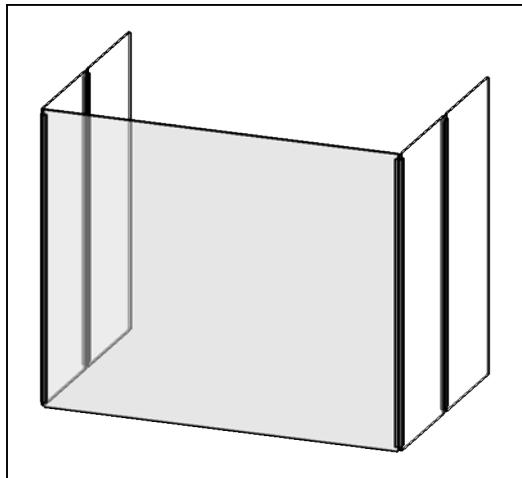
## ASSEMBLY INSTRUCTIONS

READ ALL INSTRUCTIONS BEFORE YOU BEGIN. DO NOT JUMP AHEAD OF ANY STEP.

**STEP 4:** Attach another Flexible connector to the open end of installed Side Panel, again starting it about 1/2" down from top edge of Panel. Once fully installed, connect a second Side Panel to the open end of Connector.

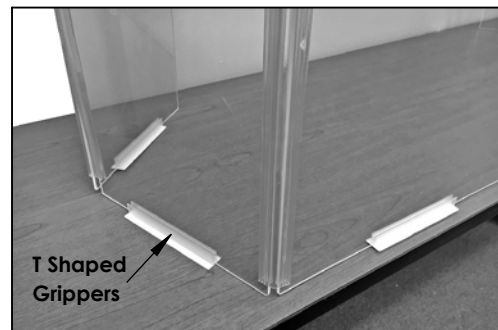


**STEP 5:**  
Repeat STEPS 2 - 4 to install remaining Flexible Connectors and Side Panels on opposite side of Desk Shield.



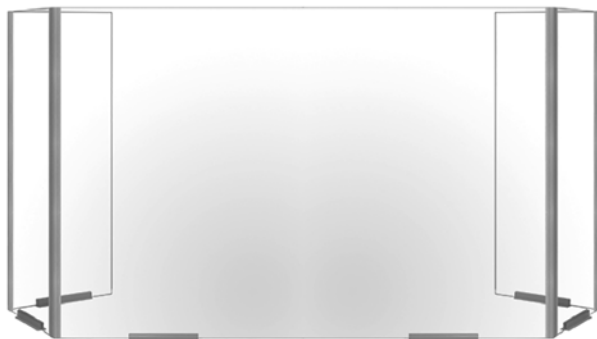
Use the adhesive-backed T Shaped Gripper Connectors (included) to attach barrier securely to desktop. Install one on the bottom edge of each side panel and two additional ones evenly spaced on the bottom edge of the Front Panel.

*NOTE: To ensure proper adhesion of T Grippers to mounting surface, clean the area where the tape will be applied and make sure it is dry prior to mounting Shield.*



## ASSEMBLY COMPLETED

*NOTE: Flexible connectors allow for multiple set-up options of your Desk Shield. Adjust the angle of all four hinge joints to accommodate the shape of your workspace.*



13901 / 13902



13905 / 13906