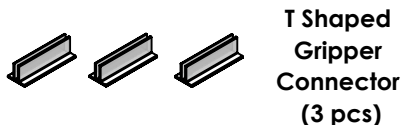
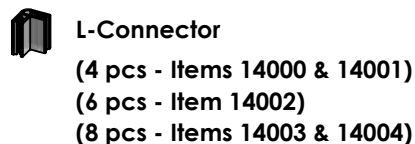
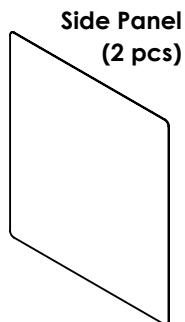
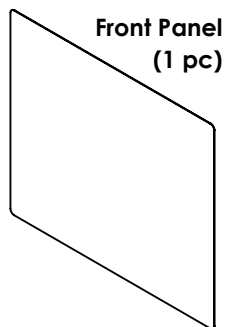


# Economy Clear Polycarbonate Student Desk Shield / Economy U Shape Clear Polycarbonate Counter & Desk Shield

## ASSEMBLY INSTRUCTIONS

READ ALL INSTRUCTIONS BEFORE YOU BEGIN. DO NOT JUMP AHEAD OF ANY STEP.

### PARTS LIST:

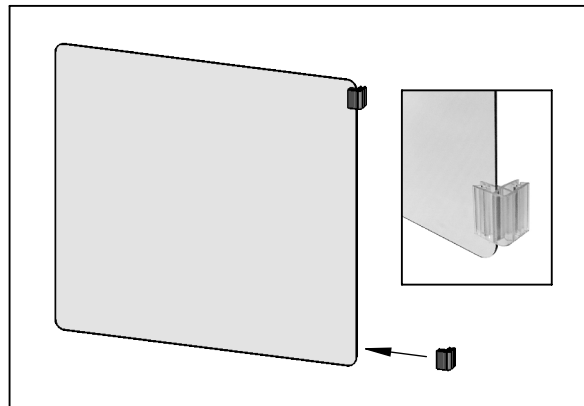
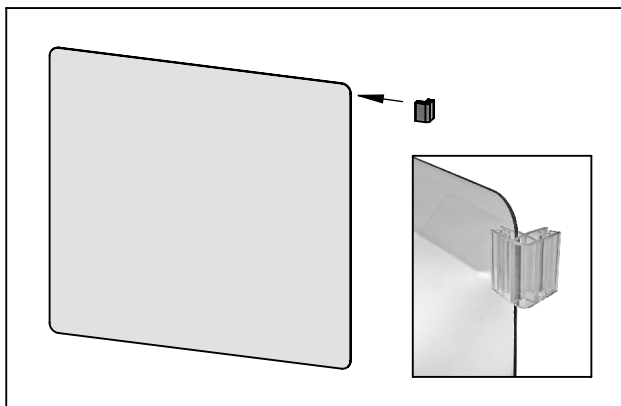


\*NO TOOLS REQUIRED  
\*TWO PERSON ASSEMBLY RECOMMENDED

**STEP 1:** Peel off the protective plastic film from both sides of Front Panel and Side Panels.

**STEP 2:** Stand up one of the Side Panels and push one of the L-connectors onto the front edge of Panel at top, just under rounded corner.

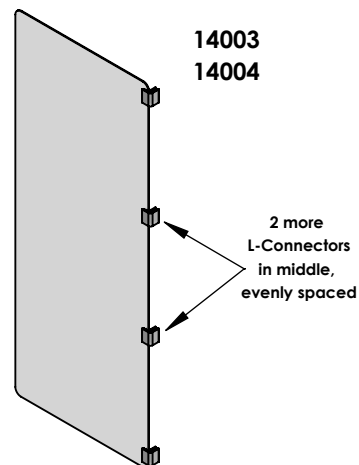
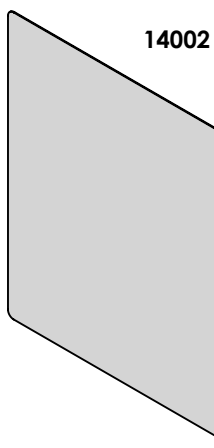
**STEP 3:** Take another L-connector and push onto the front edge of Panel at bottom, just above rounded corner.



**NOTE:** For Item 14002, add one more L-connector to the middle of the front edge of the Side Panel.

For Items 14003 & 14004, add two additional L-connectors to the Side Panel, evenly spaced out along the front edge.

See images at right as reference.



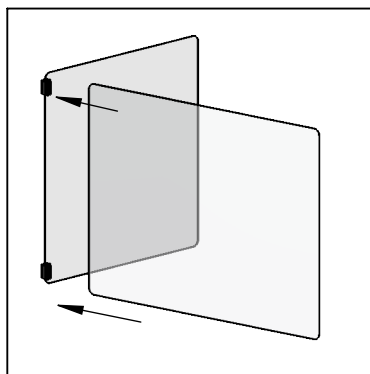
# Economy Clear Polycarbonate Student Desk Shield / Economy U Shape Clear Polycarbonate Counter & Desk Shield

## ASSEMBLY INSTRUCTIONS

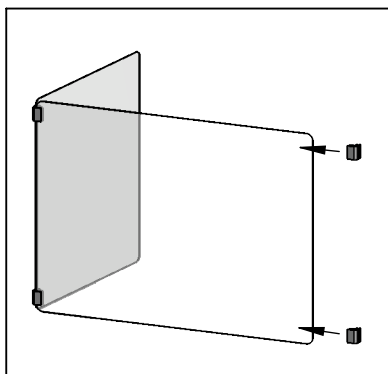
**READ ALL INSTRUCTIONS BEFORE YOU BEGIN. DO NOT JUMP AHEAD OF ANY STEP.**

**STEP 4:** Attach Front Panel to Side Panel by pushing Front Panel into installed L-Connectors on Side Panel.

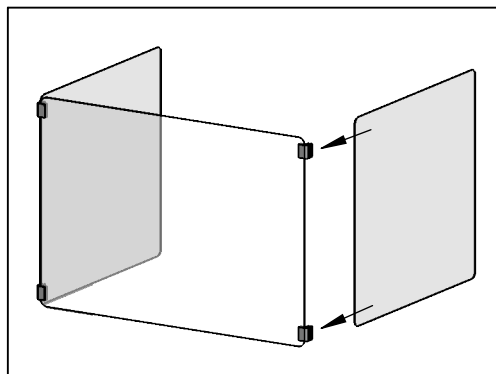
**NOTE:** Top edges of Front Panel and Side Panel should be flush with each other.



**STEP 5:** Take 2 additional L-connectors and push them onto the open side edge of Front Panel, again placing one at the top just under rounded corner, and one at the bottom just above rounded corner. (Follow instructions in NOTE at bottom of Page 1 for installing additional L-connectors for Items 14002, 14003 & 14004.)

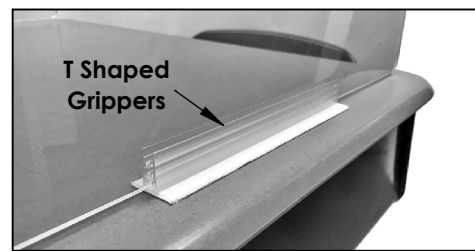
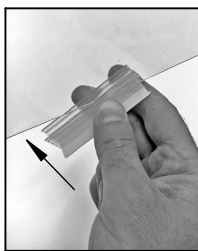


**STEP 6:** Attach remaining Side Panel to Front Panel by pushing Side Panel into installed L-connectors on Front Panel.

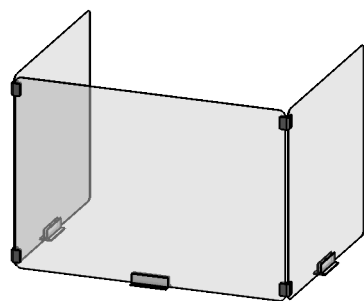


**STEP 7:** Use the adhesive-backed T Shaped Gripper Connectors (included) to attach barrier securely to desktop. Install one in the middle of the bottom edge of each panel.

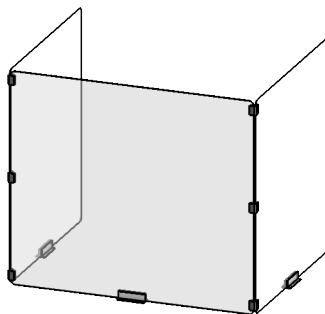
**NOTE:** To ensure proper adhesion of T Grippers to mounting surface, clean the area where the tape will be applied and make sure it is dry prior to mounting Shield.



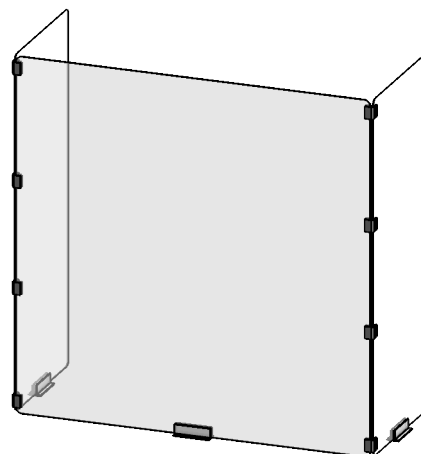
## ASSEMBLY COMPLETED



14000 / 14001



14002



14003 / 14004