

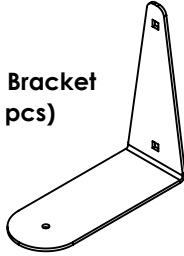
# Floor Standing Clear Acrylic Divider

## ASSEMBLY INSTRUCTIONS

READ ALL INSTRUCTIONS BEFORE YOU BEGIN. DO NOT JUMP AHEAD OF ANY STEP.

### PARTS LIST:

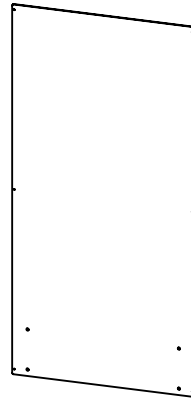
Metal Bracket  
(4 pcs)



Bolt  
(4 pcs)

Washer  
(4 pcs)

Wingnut  
(4 pcs)



Divider Panel  
(1 pc)

C-Channel  
(2 pcs)

Screw  
(6 pcs)

Small Washer  
(6 pcs)

Acorn Nut  
(6 pcs)



Wrench  
(1 pc)

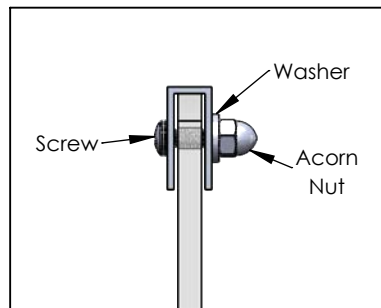
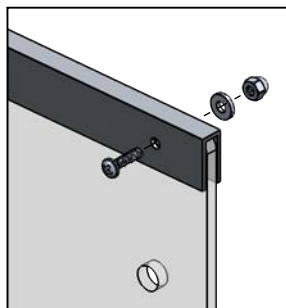
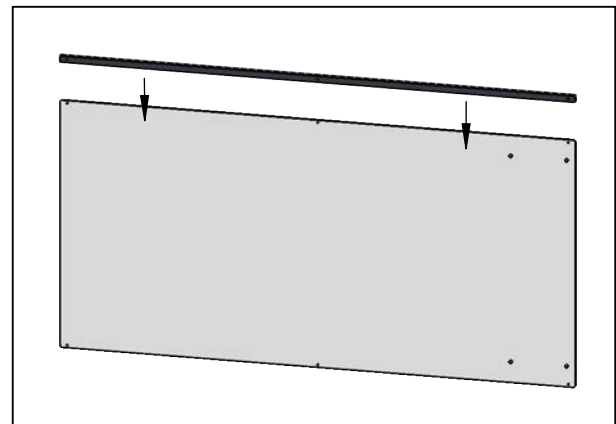
**\*TWO PERSON ASSEMBLY RECOMMENDED**

**\*TOOLS REQUIRED: PHILLIPS HEAD SCREWDRIVER (NOT INCLUDED), 5/16" WRENCH (SUPPLIED)**

**STEP 1:** Peel off the protective plastic film from both sides of Divider Panel.

**STEP 2:** With the help of another person, carefully stand Divider Panel up on one of its long edges. Take one of the side C-Channels and slide it down onto long edge of Panel, aligning holes in C-Channel with holes along edge of Panel.

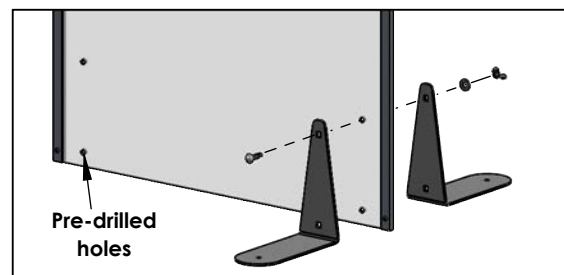
**STEP 3:** Insert one of the supplied Screws through hole in C-Channel and follow with Small Washer and Acorn nut on the other side. Use the supplied 5/16" wrench to hold Acorn nut in place while using Screwdriver to tighten screw. Repeat these steps for remaining two holes in C-Channel to securely fasten C-Channel to long edge of Panel.



**STEP 4:** Carefully rotate Panel 180° so that installed C-Channel is now on the bottom and other long edge of Panel is facing up. Repeat STEPS 2 & 3 to install remaining C-Channel.

**IMPORTANT: DO NOT SKIP STEPS 2-4 AS THE C-CHANNELS ARE NEEDED FOR STRUCTURAL SUPPORT FOR DIVIDER PANEL.**

**STEP 5:** Stand Divider Panel upright on flat surface, making sure the pre-drilled holes for Metal Bracket are closest to the floor. While one person holds the Divider Panel up, have the other person attach the first set of Metal Brackets to base of Panel.  
(Turn over for more detailed instructions on Metal Bracket installation.)



# Floor Standing Clear Acrylic Divider

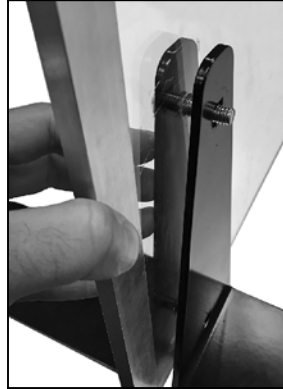
## ASSEMBLY INSTRUCTIONS

**READ ALL INSTRUCTIONS BEFORE YOU BEGIN. DO NOT JUMP AHEAD OF ANY STEP.**

Insert bolt through top square hole in Metal Bracket and align with corresponding top hole in base of Divider Panel.



Feed bolt through hole in Panel and then through top square hole in second Metal Bracket on the other side.



Add washer and fully tighten with wingnut. **Repeat these steps for bottom hole.**



**STEP 6:** Repeat steps above to install remaining two metal brackets on opposite side of Floor Divider.

## ASSEMBLY COMPLETED

**NOTE:** Additional holes in Metal Brackets offer you the option to anchor your Divider to the floor, with use of appropriate hardware (not included).



**Use additional holes to mount Divider to floor**



**13820 / 13821 / 13822**