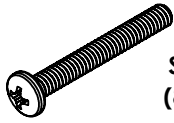


# Floor Standing Sneeze Guard Shield

**ASSEMBLY INSTRUCTIONS**

**READ ALL INSTRUCTIONS BEFORE YOU BEGIN. DO NOT JUMP AHEAD OF ANY STEP.**

**PARTS LIST:**



**Screw  
(8 pcs)**

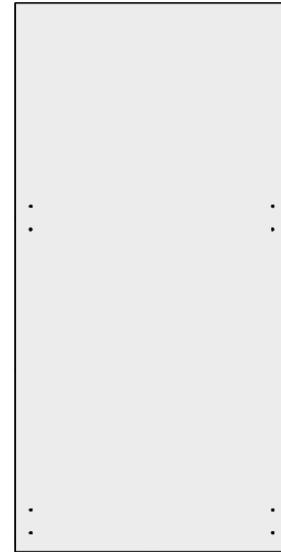
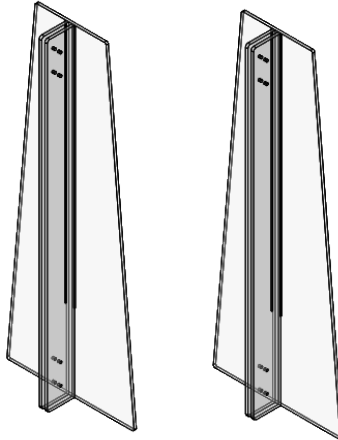


**Washer  
(8 pcs)**



**Wingnut  
(8 pcs)**

**Side Channel Upright  
(2 pcs)**

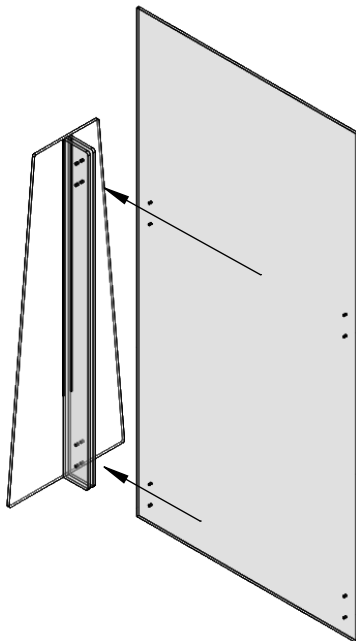


**Main Panel Upright  
(1 pc)**

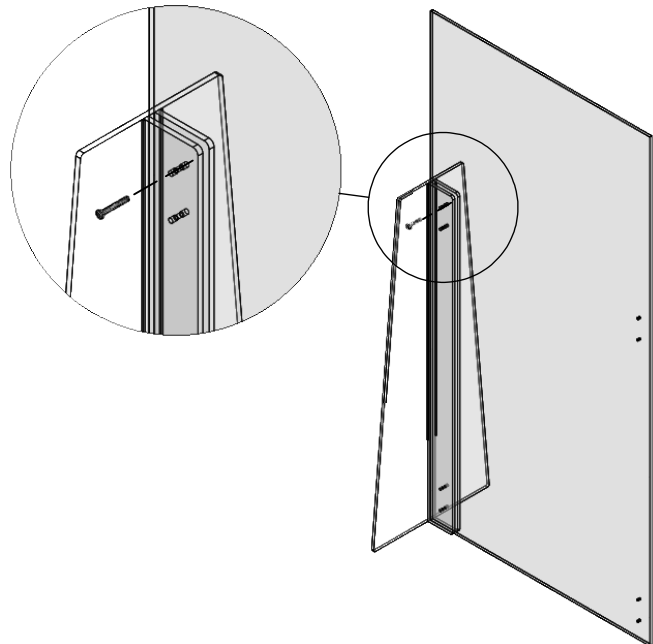
**\*TOOLS REQUIRED: PHILLIPS HEAD SCREWDRIVER (NOT INCLUDED)  
\*TWO PERSONS ARE RECOMMENDED FOR ASSEMBLY.**

**STEP 1:** Peel off the protective plastic film from both sides of Main Panel Upright.

**STEP 2:** Stand up one of the Side Channel Uprights and guide Main Panel Upright into channel, making sure holes are aligned.



**STEP 3:** Insert one of the provided Screws through hole in Side Channel Upright. Guide it through hole in Main Panel and out the other side of channel.

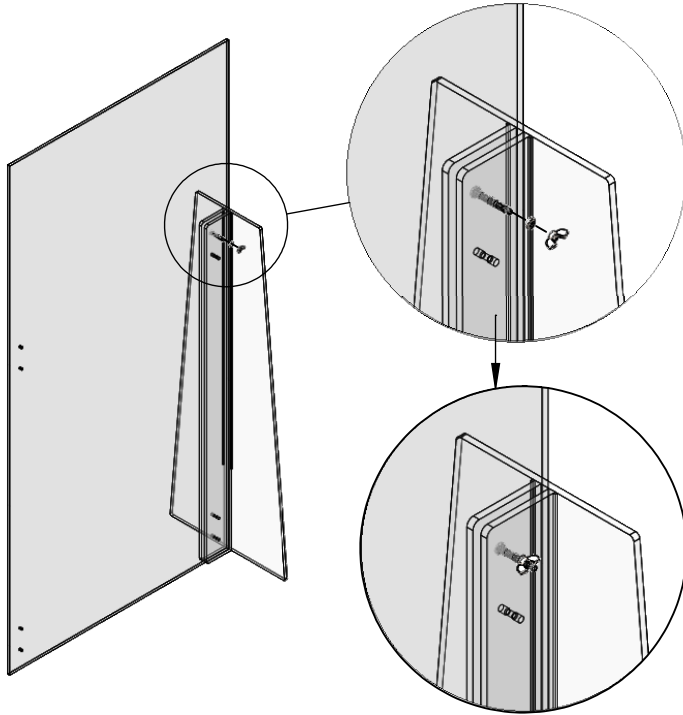


# Floor Standing Sneeze Guard Shield

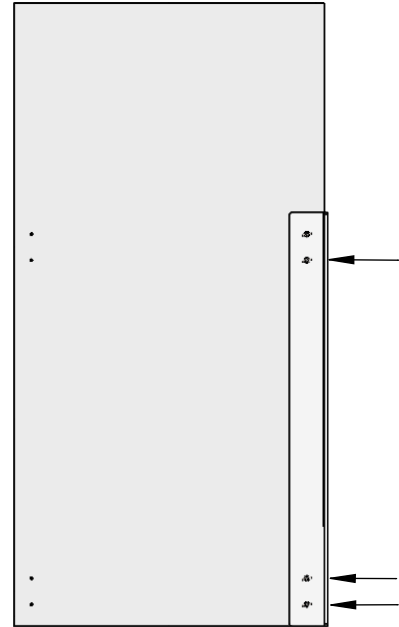
**ASSEMBLY INSTRUCTIONS**

**READ ALL INSTRUCTIONS BEFORE YOU BEGIN. DO NOT JUMP AHEAD OF ANY STEP.**

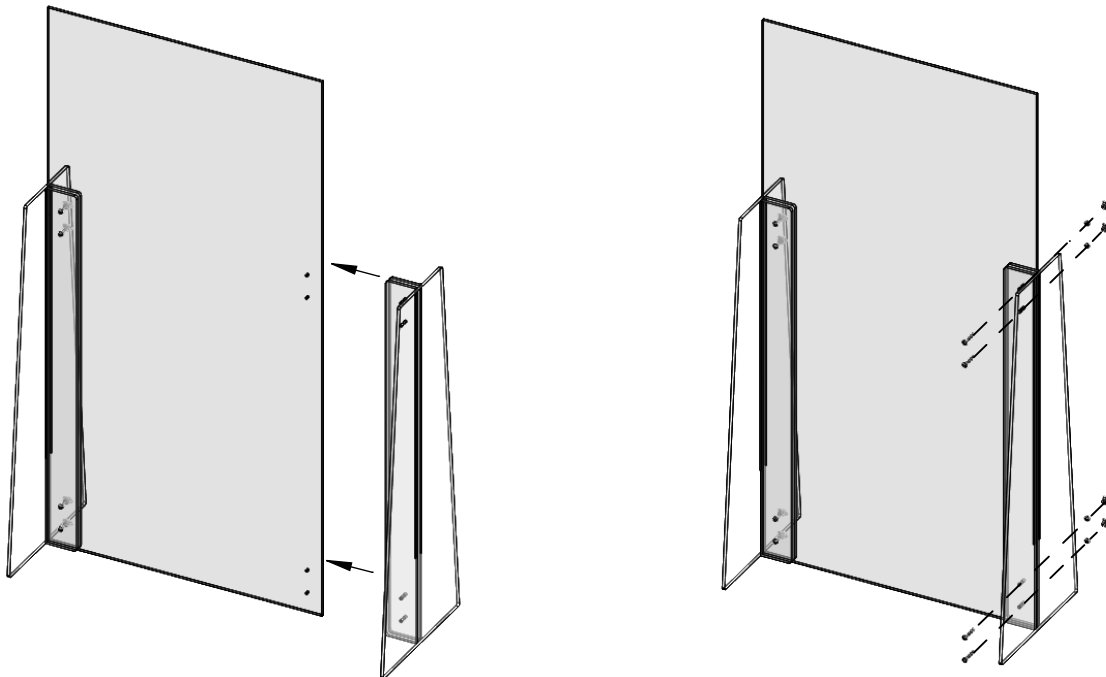
**STEP 4:** Secure Main Panel to Side Channel Upright with lock washer and wingnut. Do not overtighten.



**STEP 5:** Repeat Steps 3 & 4 for remaining 3 hole locations on that side of Shield.



**STEP 6:** Stand up remaining Side Channel Upright and guide other side of Main Panel Upright into channel, again making sure holes are aligned. Repeat Steps 3-5 to secure Side Upright to Main Panel.

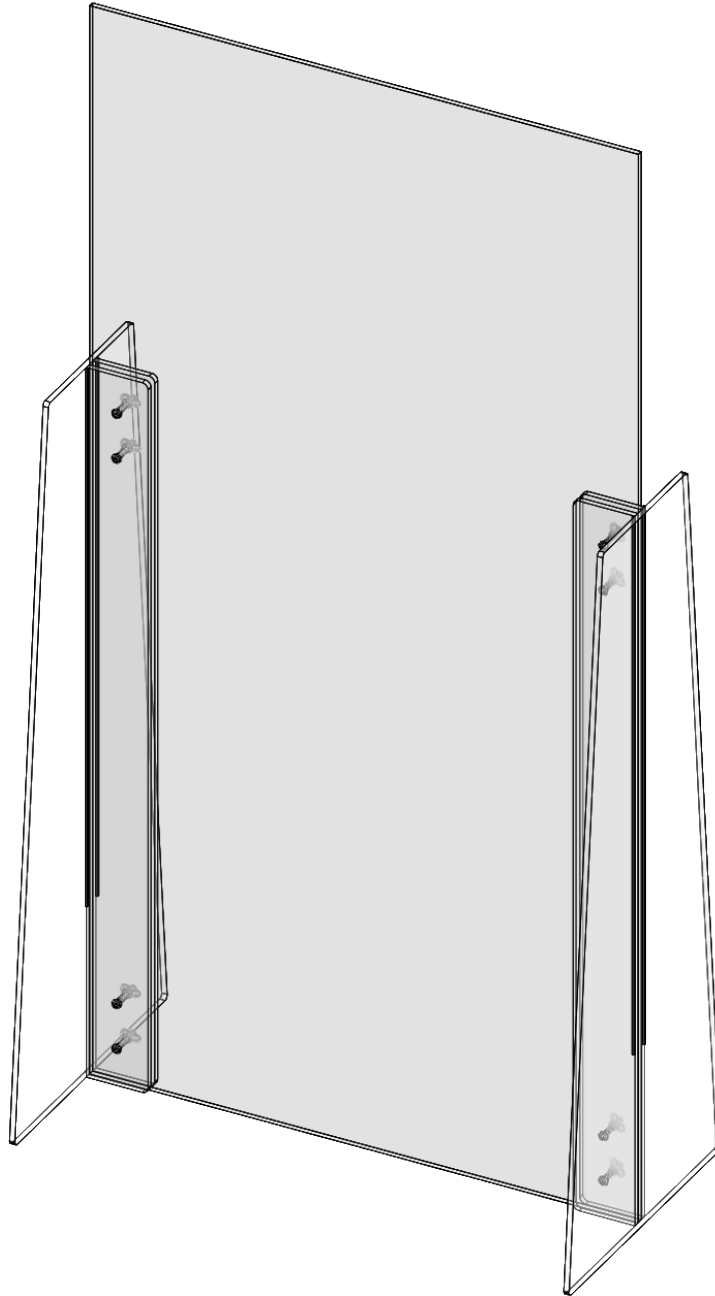


# Floor Standing Sneeze Guard Shield

## ASSEMBLY INSTRUCTIONS

READ ALL INSTRUCTIONS BEFORE YOU BEGIN. DO NOT JUMP AHEAD OF ANY STEP.

**STEP 7:** Make sure the product is rested on a flat surface and does not feel loose or wobbly. If it does, double check that all screws are secured and properly tightened.



**ASSEMBLY COMPLETED**