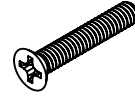
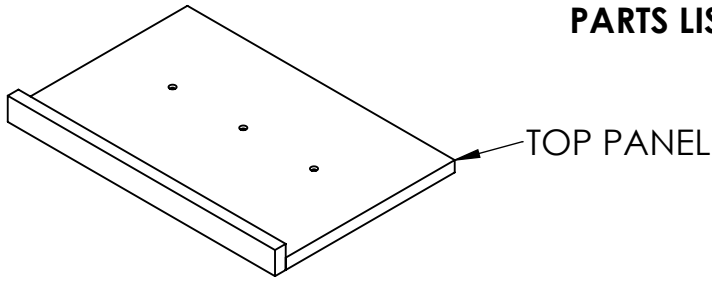


Acrylic Deluxe Podium Lectern

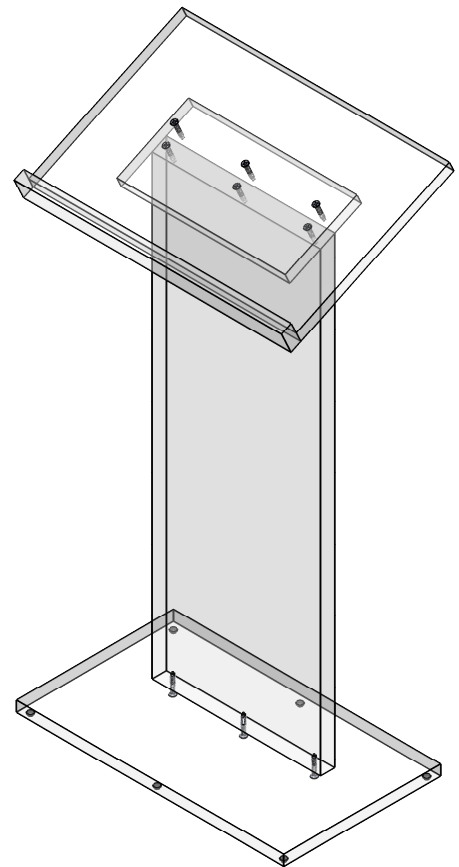
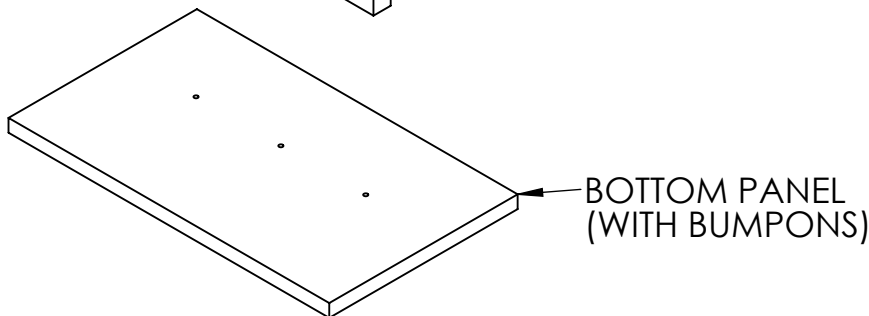
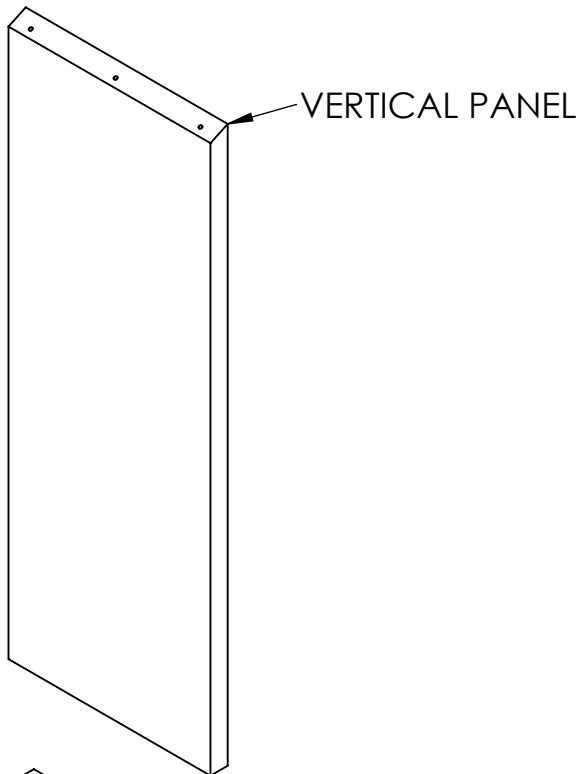
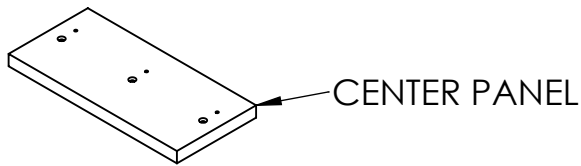
ASSEMBLY INSTRUCTIONS

READ ALL INSTRUCTIONS BEFORE YOU BEGIN. DO NOT JUMP AHEAD OF ANY STEP.

PARTS LIST



(9x) FLAT HEAD SCREWS



FINISHED ASSEMBLY

NOTE: ALL PANELS ARE CLEAR ACRYLIC. 2 PERSON ASSEMBLY RECOMMENDED.

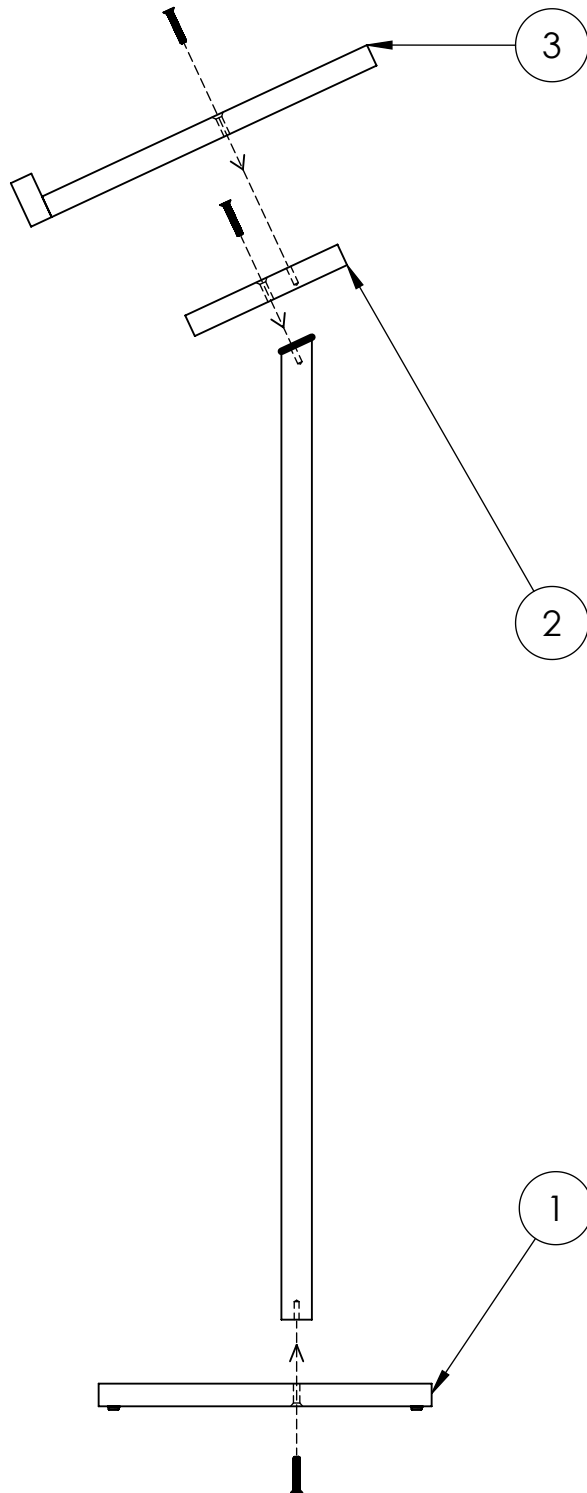
TOOLS REQUIRED - 1X PHILLIPS HEAD SCREWDRIVER (#3 DRIVE)

Acrylic Deluxe Podium Lectern

ASSEMBLY INSTRUCTIONS

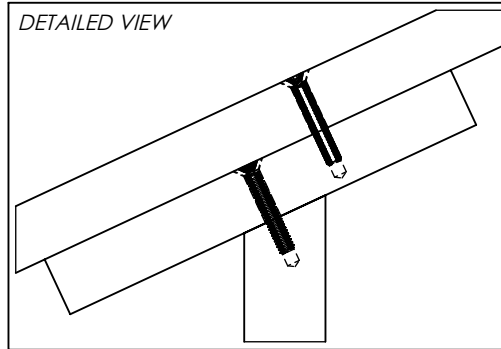
READ ALL INSTRUCTIONS BEFORE YOU BEGIN. DO NOT JUMP AHEAD OF ANY STEP.

NOTE: Follow Steps 1 - 3 in order, starting from the bottom and working your way up.



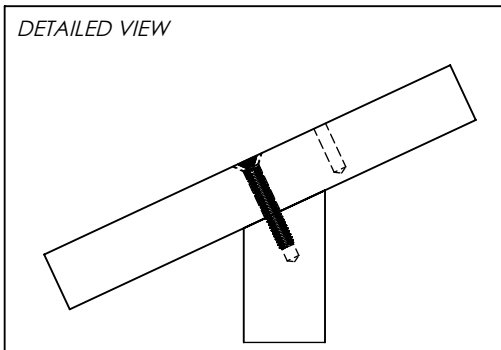
3

attach the top panel to the center panel using 3x screws



2

attach the center panel to the vertical panel by inserting 3x screws into the countersunk through holes



1

attach the bottom panel to the vertical panel using 3x screws, noting the orientation of the **angled cut** at the top of the vertical panel.

