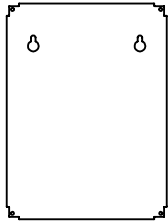


Wall Mounted Display Case for LEGO Helmet Display

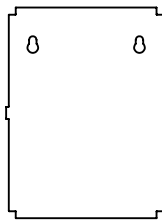
ASSEMBLY INSTRUCTIONS

PLEASE CAREFULLY READ AND FOLLOW ALL THE INSTRUCTIONS IN THE DESIGNATED SEQUENCE.

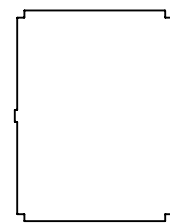
CASE PARTS LIST:



BACK PANEL
(1 pc)



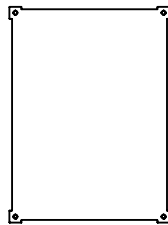
MIDDLE BACK PANEL
(1 pc)



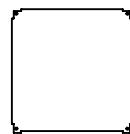
FRONT BACK PANEL
(1 pc)



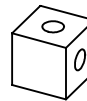
SCREW
(20 pcs)



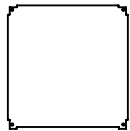
FRONT PANEL
(1 pc)



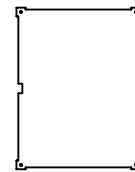
TOP PANEL
(1 pc)



CUBE
(8 pcs)



BOTTOM PANEL
(1 pc)



SIDE PANEL
(2 pcs)



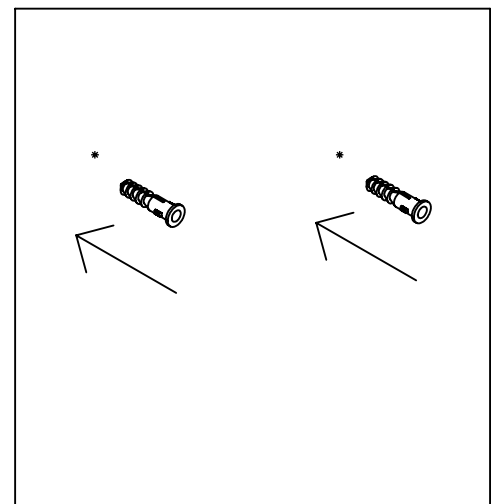
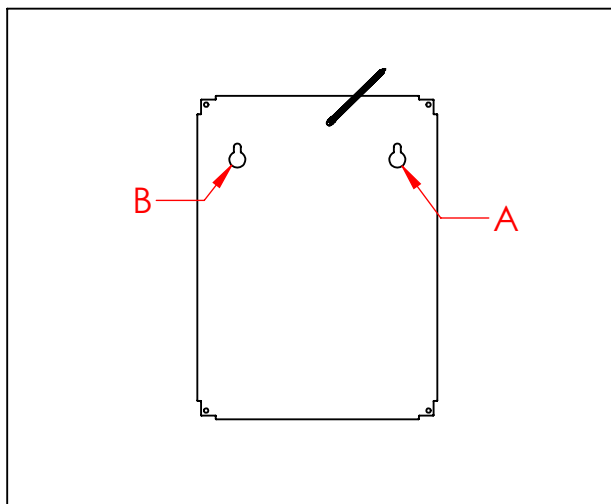
WALL ANCHOR
(2 pcs)



WALL SCREW
(2 pcs)

STEP 1: Remove protective film from both sides of each part before assembly.

STEP 2: Note: Wall Anchors are for installation in drywall only, if screwing directly into wall studs, use screws only. While holding the Back Panel against the wall in the desired mount location, mark the two mounting hole locations with a pencil (A & B, see below). Remove panel from wall and screw/drill the Wall Anchors into the drywall.

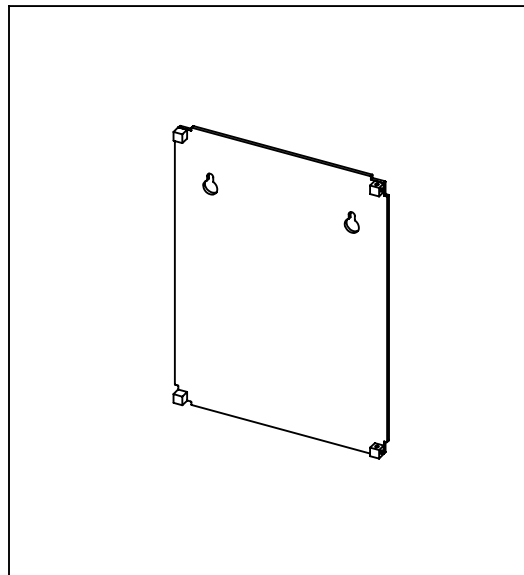
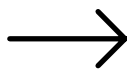
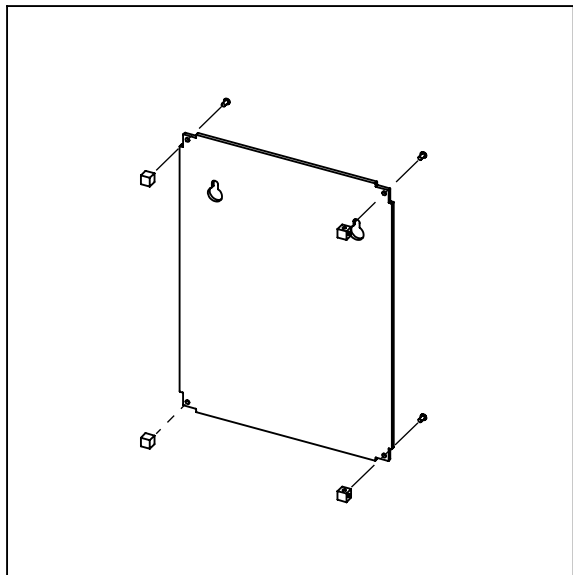


Wall Mounted Display Case for LEGO Helmet Display

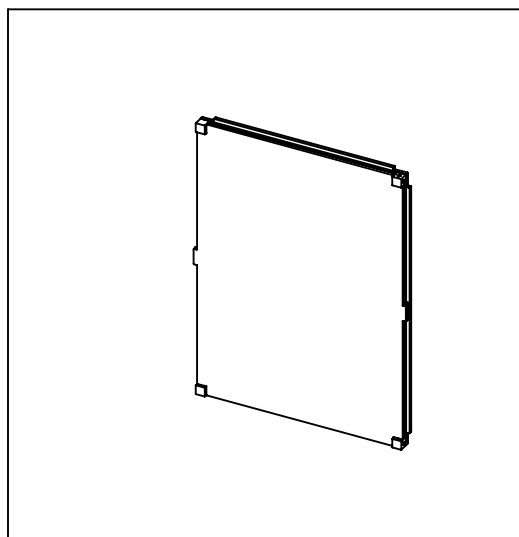
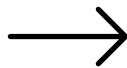
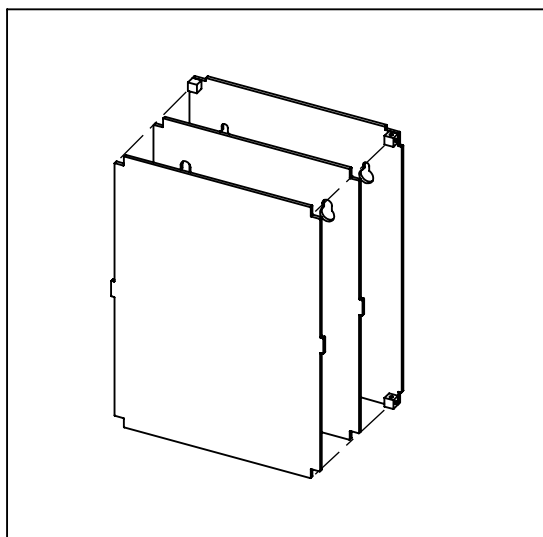
ASSEMBLY INSTRUCTIONS

PLEASE CAREFULLY READ AND FOLLOW ALL THE INSTRUCTIONS IN THE DESIGNATED SEQUENCE.

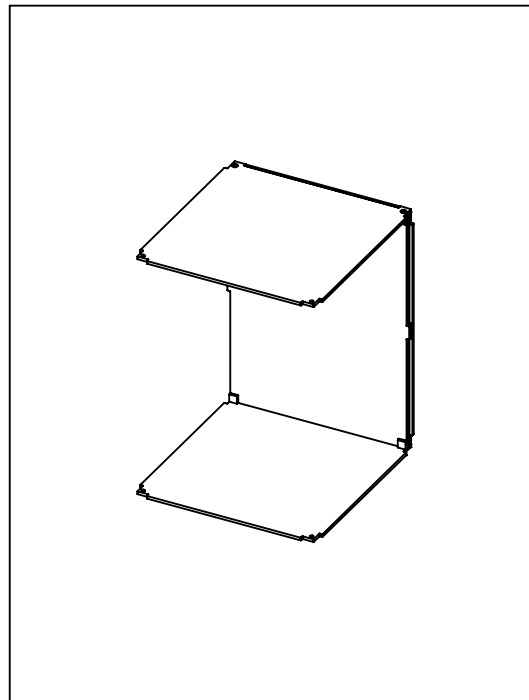
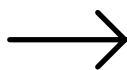
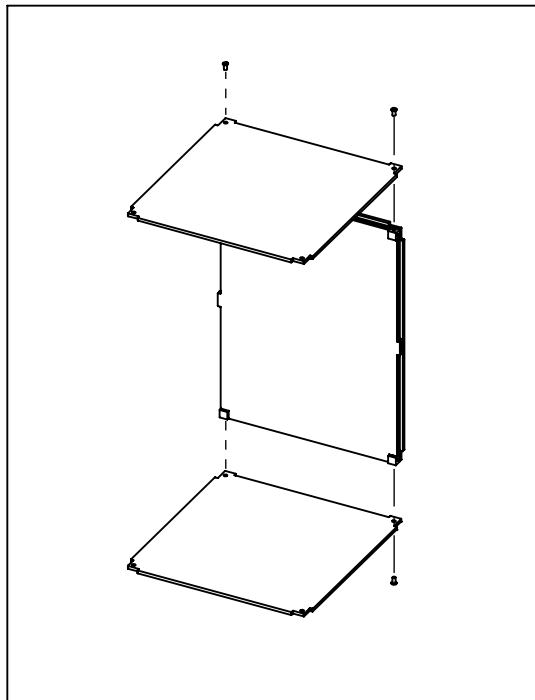
STEP 3: Attach Cubes to Back Panel using Screws. Do not over-tighten so that screws are easy to rotate, if the position of the holes on the cubes needs to be adjusted. Use manual tools only. Do not use power tools.



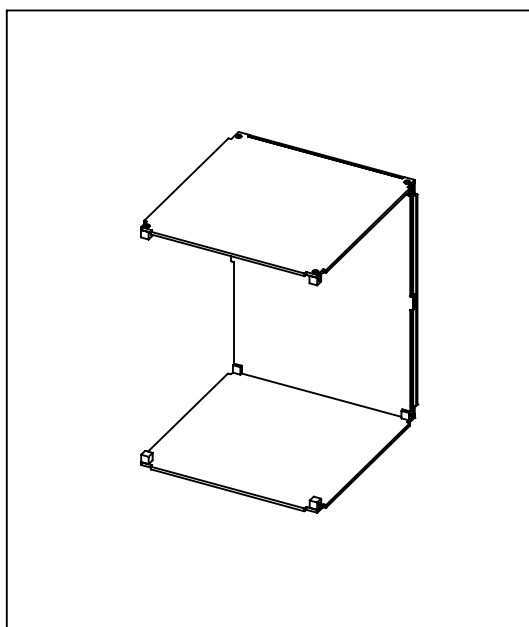
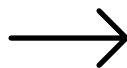
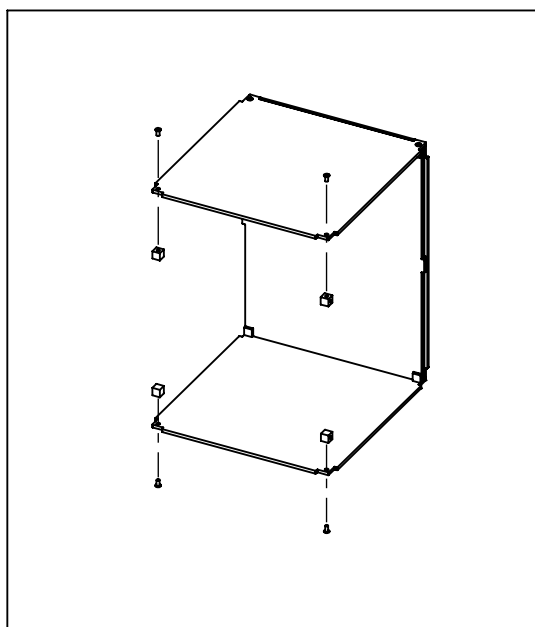
STEP 4: Place Middle Back Panel and Front Back Panel in front of Back Panel.



STEP 5: Attach both Top Panel & Bottom Panel to unit using Screws.



STEP 6: Attach Cubes to front of Top Panel & Bottom Panel using Screws.

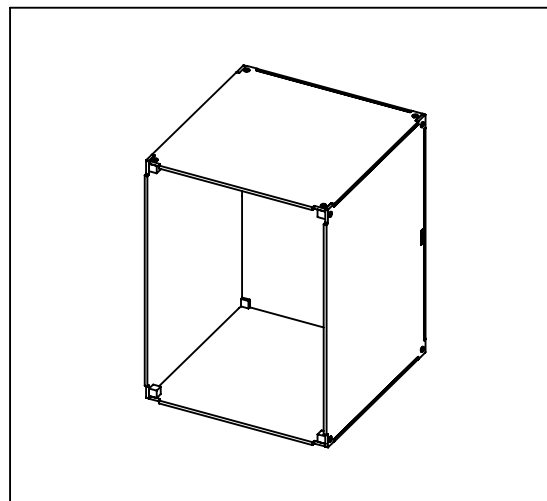
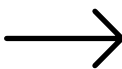
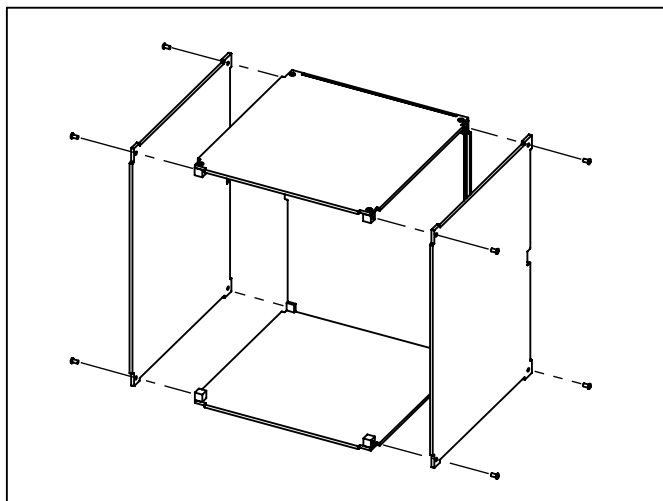


Wall Mounted Display Case for LEGO Helmet Display

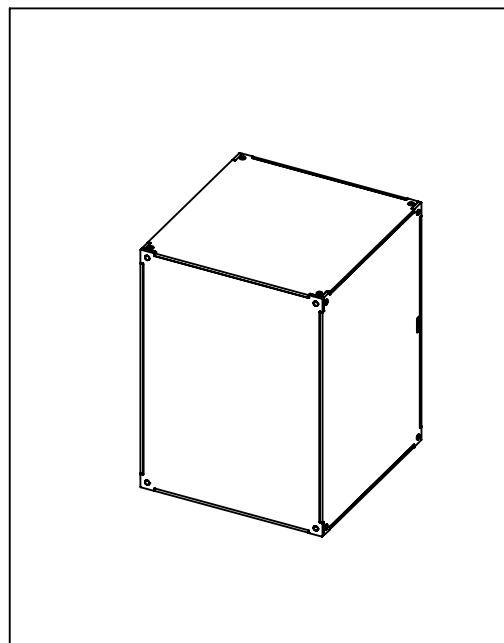
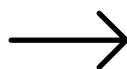
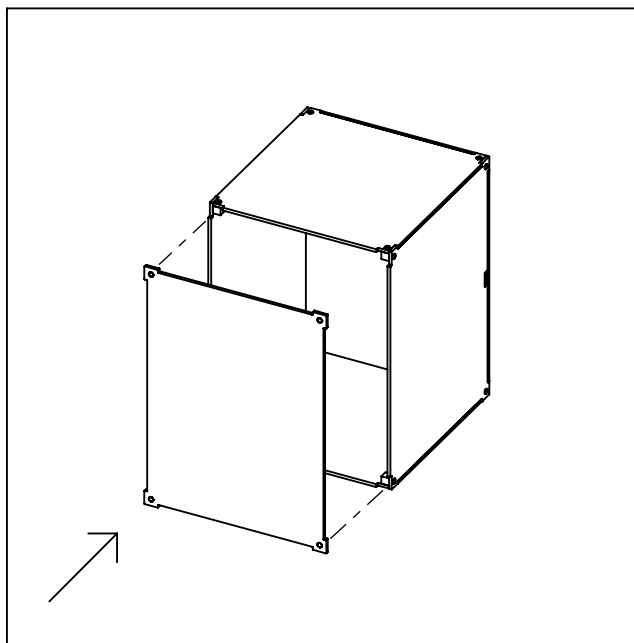
ASSEMBLY INSTRUCTIONS

PLEASE CAREFULLY READ AND FOLLOW ALL THE INSTRUCTIONS IN THE DESIGNATED SEQUENCE.

STEP 7: Attach Side Panels to Top Panel and Bottom Panel using Screws.



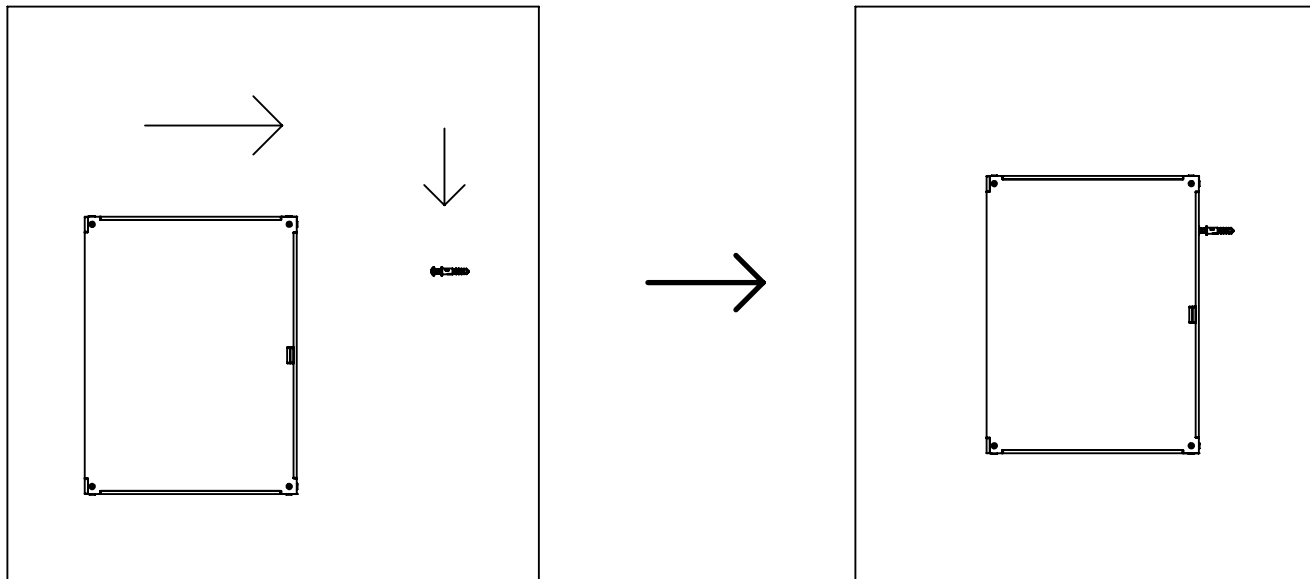
STEP 8: Attach Front Panel to the front of the unit. Cubes are magnetic.



ASSEMBLY INSTRUCTIONS

PLEASE CAREFULLY READ AND FOLLOW ALL THE INSTRUCTIONS IN THE DESIGNATED SEQUENCE.

STEP 9: Slide Display Case over and down Wall Screws to mount. *Place LEGO® inside of unit after it is mounted on the wall in desired location.



ASSEMBLY COMPLETED

