

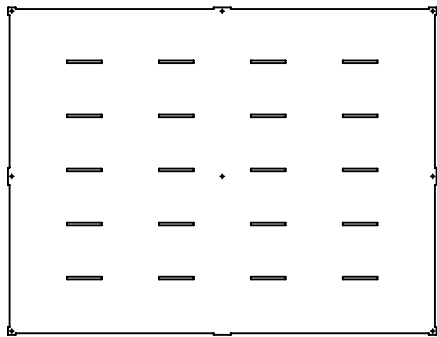
General Speed Champions Display Case

ASSEMBLY INSTRUCTIONS

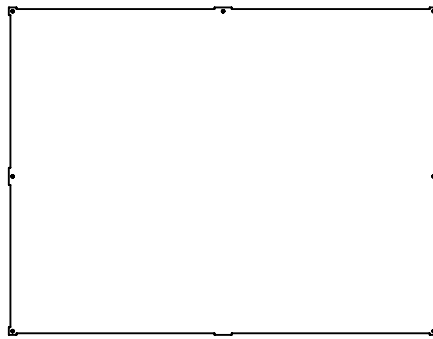
PLEASE CAREFULLY READ AND FOLLOW ALL THE INSTRUCTIONS IN THE DESIGNATED SEQUENCE.

CASE PARTS LIST:

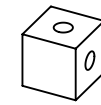
*PART QUANTITY AND DIMENSIONS WILL DIFFER BETWEEN SIZES



BACK PANEL
(1 pc)



FRONT PANEL
(1 pc)



CUBE
(15 pcs)



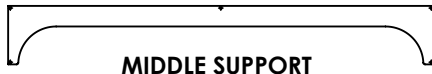
SCREW
(31 pcs)



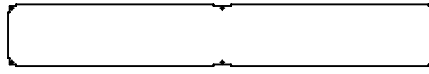
SUPPORT
(24 pcs)



BUMPON
(6 pcs)



MIDDLE SUPPORT
(1 pc)

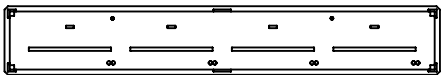


TOP PANEL
(1 pcs)

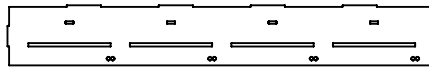


SIDE PANEL
(2 pcs)

CLEAR LEGO®
STUD* (40 pcs)



BASE
(1 pc)

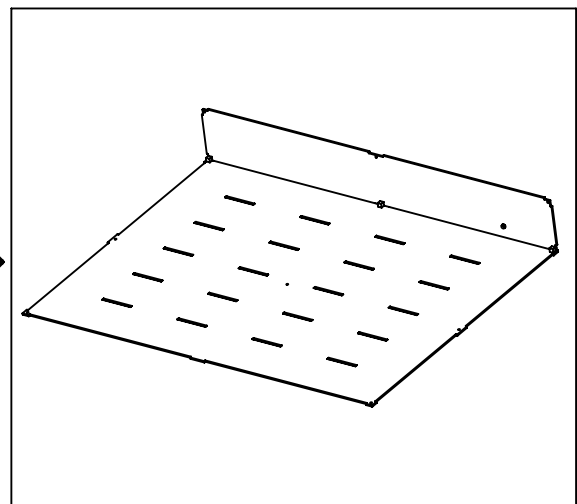
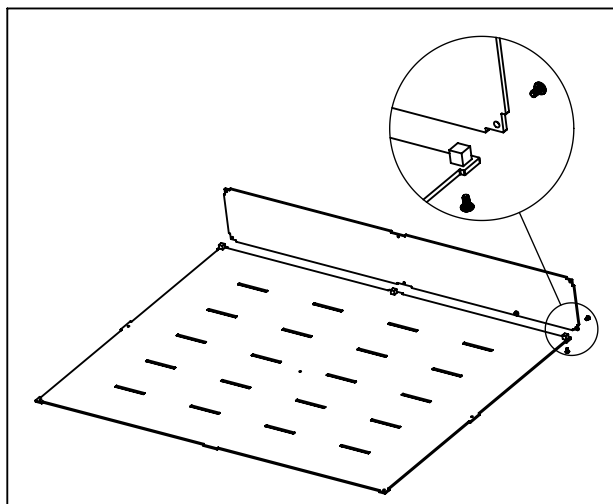


SHELVES
(5 pcs)

BLACK LEGO®
STUD* (8 pcs)

STEP 1: Remove protective film from both sides of each part before assembly.

STEP 2: Lay Back Panel on a flat surface & attach Cubes to Back Panel using Screws. Do not over-tighten so that screws are easy to rotate, if the position of the holes on the cubes needs to be adjusted. Use manual tools only. Do not use power tools. Attach the Top Panel to the Back Panel by using the screws & the cubes.

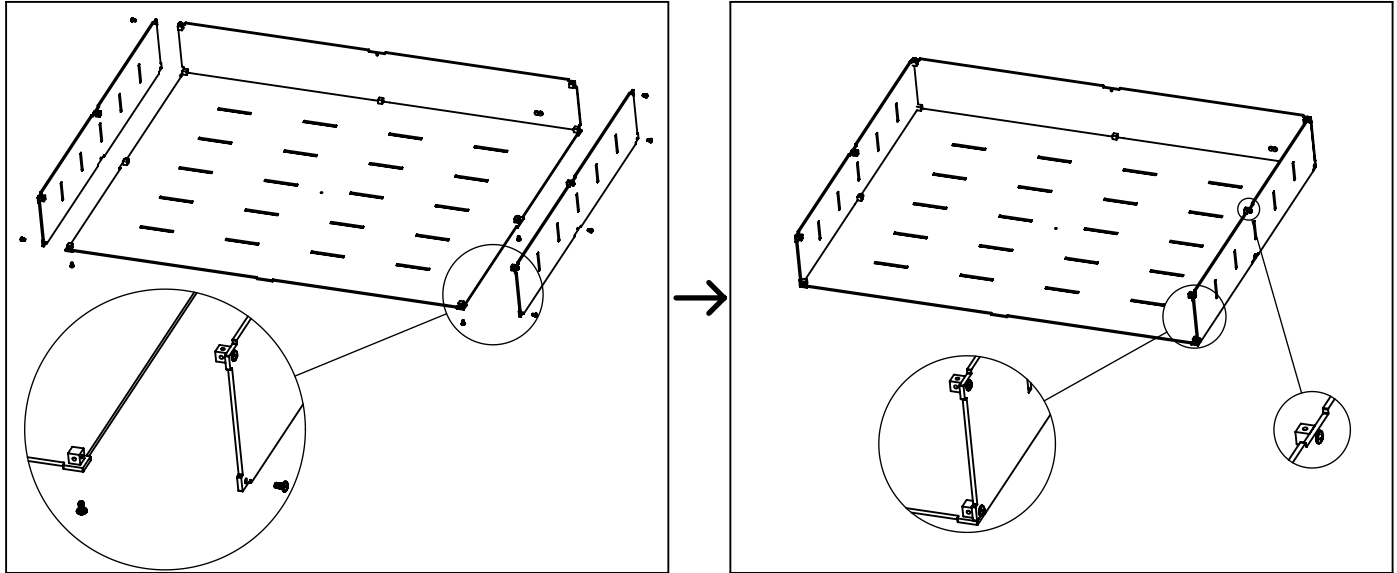


General Speed Champions Display Case

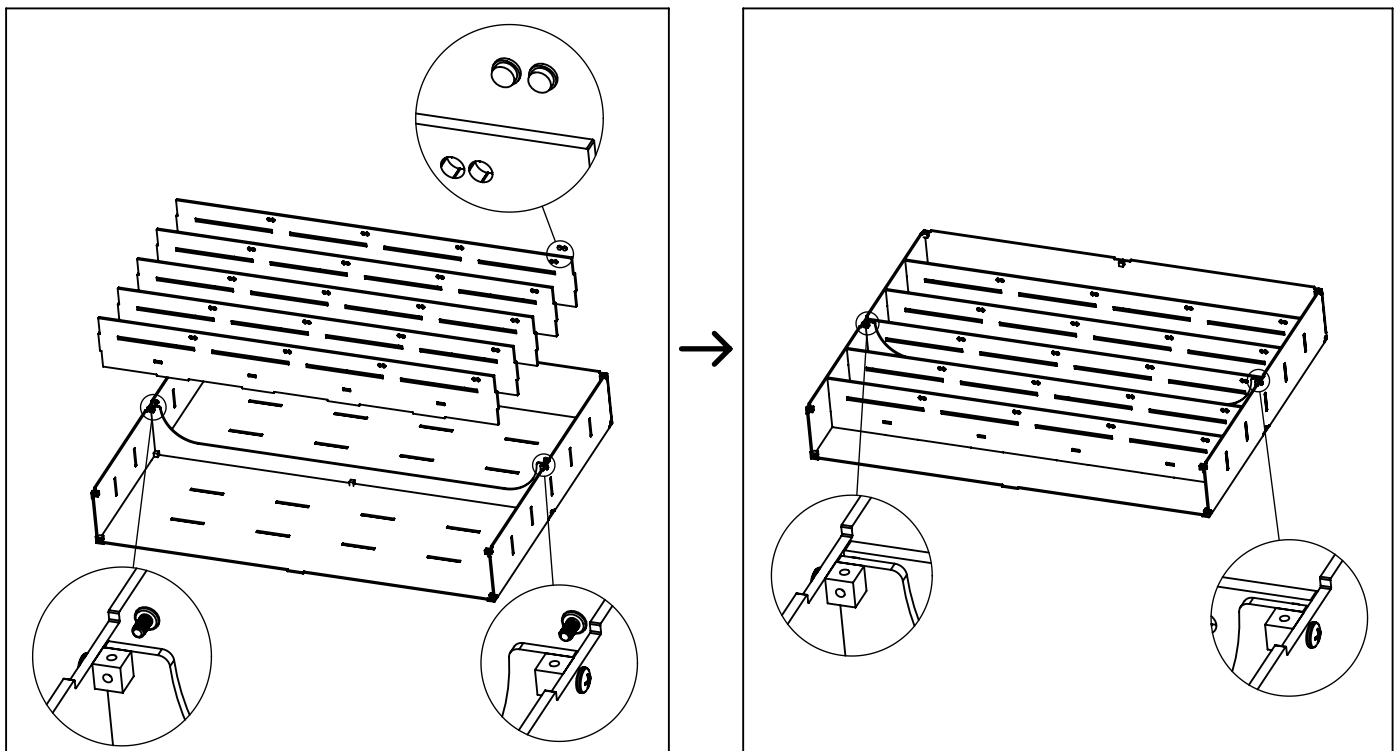
ASSEMBLY INSTRUCTIONS

PLEASE CAREFULLY READ AND FOLLOW ALL THE INSTRUCTIONS IN THE DESIGNATED SEQUENCE.

STEP 3: Attach Side Panels to Back Panel using Screws and cubes. Attach Cubes to the front middle of the Side Panels. Do not over-tighten the screws to allow the shelves in the next step to be inserted.



STEP 4: Attach *Middle Support** to side panels and back panels using Screws. Use even pressure to insert the clear LEGO® Studs into hole cutouts on shelves where applicable. Insert tabs of Shelves into the slots on the Side Panels and Back panel.



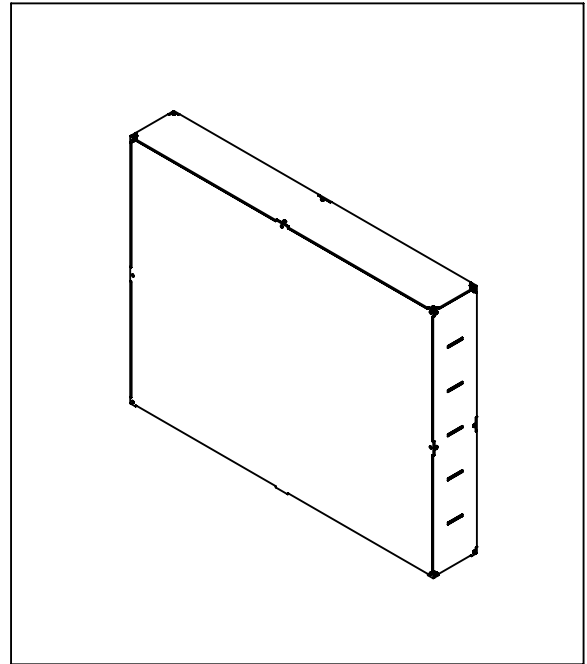
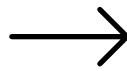
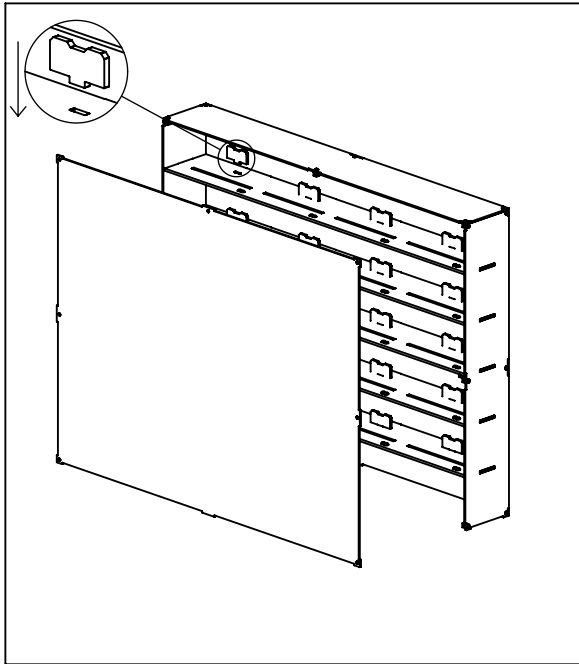
*Note that the middle support is only included in select sizes. Some units will not include this part.

General Speed Champions Display Case

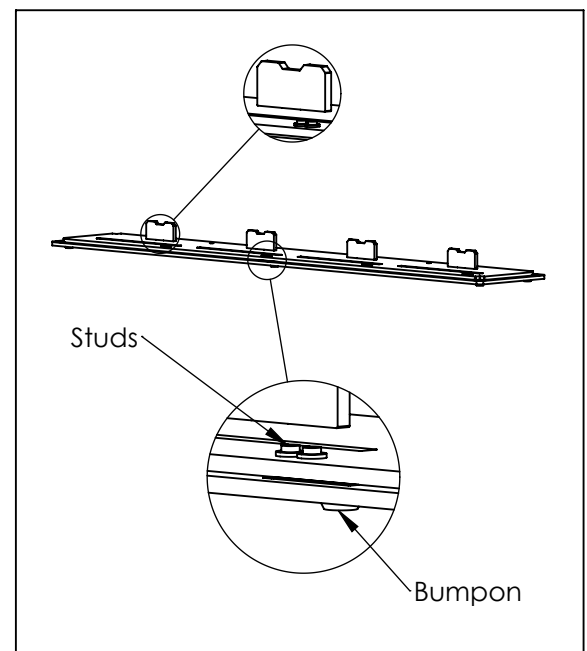
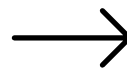
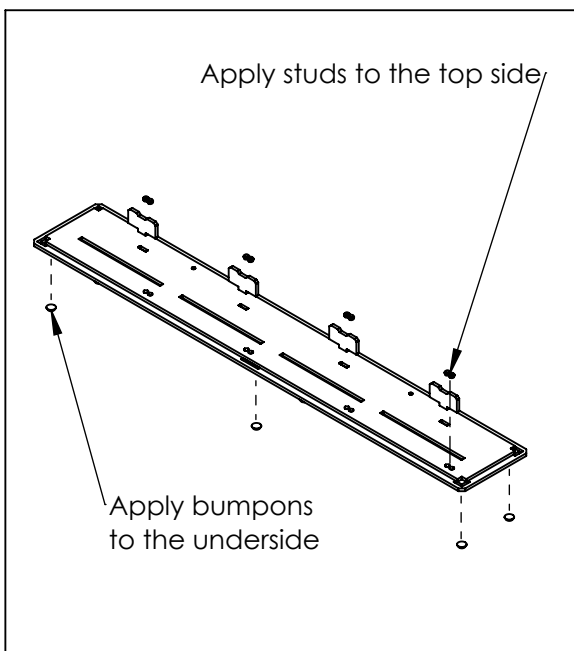
ASSEMBLY INSTRUCTIONS

PLEASE CAREFULLY READ AND FOLLOW ALL THE INSTRUCTIONS IN THE DESIGNATED SEQUENCE.

STEP 5: Slide supports into horizontal slots on shelves. Attach the magnetic Front Panel to the front of the unit. The cubes are magnetic.



STEP 6: Attach Bumpons to the underside of Base as shown. Ensure Bumpons don't cover slots when attaching. Use even pressure to insert the black LEGO® Studs into hole cutouts on the top side where applicable. Slide supports into horizontal slots on the base.

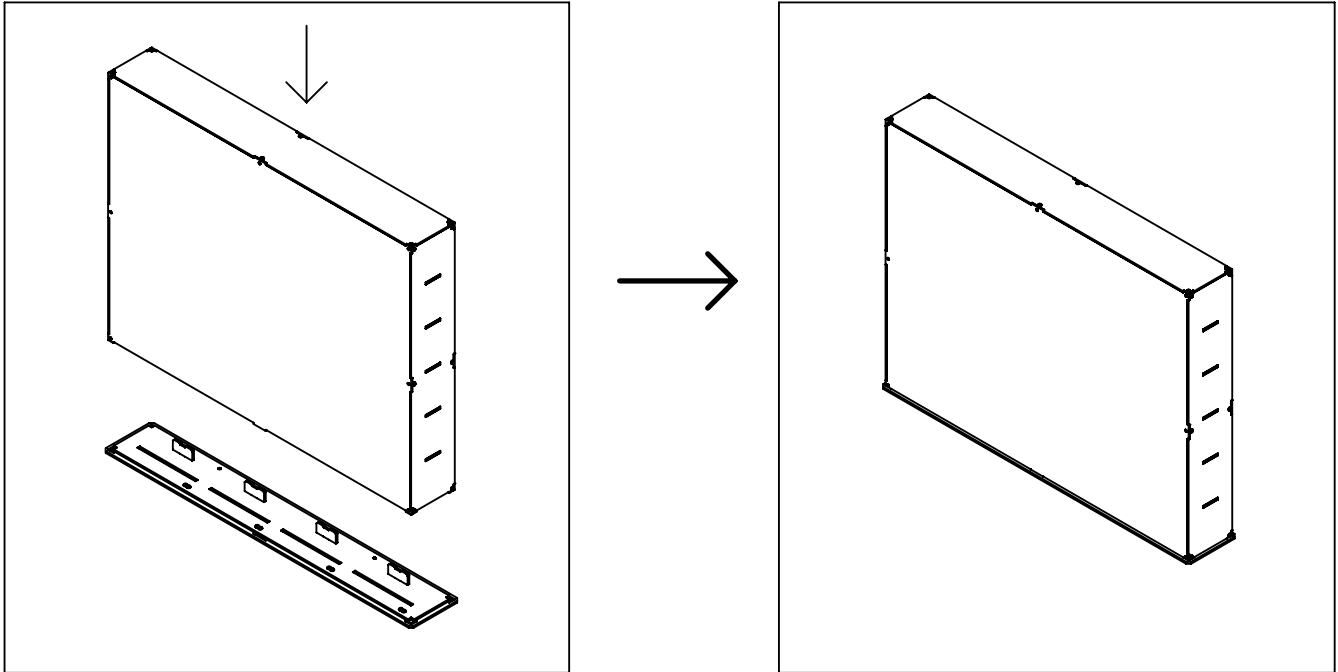


General Speed Champions Display Case

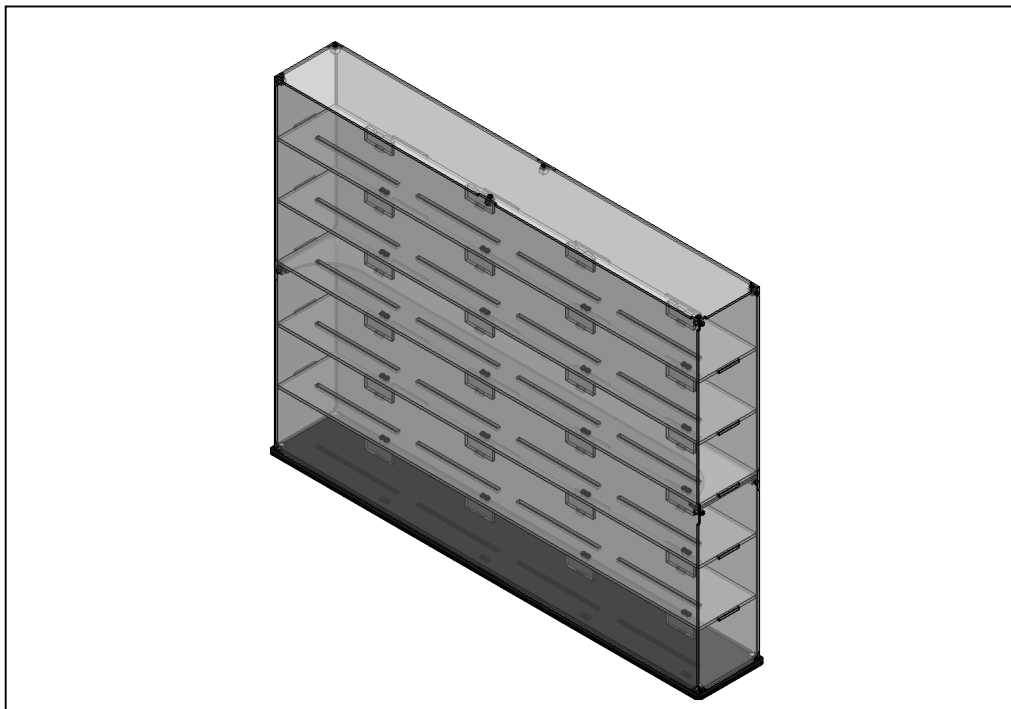
ASSEMBLY INSTRUCTIONS

PLEASE CAREFULLY READ AND FOLLOW ALL THE INSTRUCTIONS IN THE DESIGNATED SEQUENCE.

STEP 7: Place display case onto the base, inserting the tabs into the slots of the base.



ASSEMBLY COMPLETED



*Front panel is removable any time after assembly for placing Speed Champion units. Replace back onto unit by magnetizing to cubes.