

**ASSEMBLY INSTRUCTIONS**

**PLEASE CAREFULLY READ & FOLLOW ALL THE INSTRUCTIONS IN THE DESIGNATED SEQUENCE.**

**PARTS LIST:**

**Back Leg (2 pcs)**

**Front Leg (2 pcs)**

**First Shelf (1 pc)**

**Second Shelf (1 pc)**

**Third Shelf (1 pc)**

**Fourth Shelf (1 pc)**

**Header (1 pc)**

**Screw & Nut (4 pcs)**

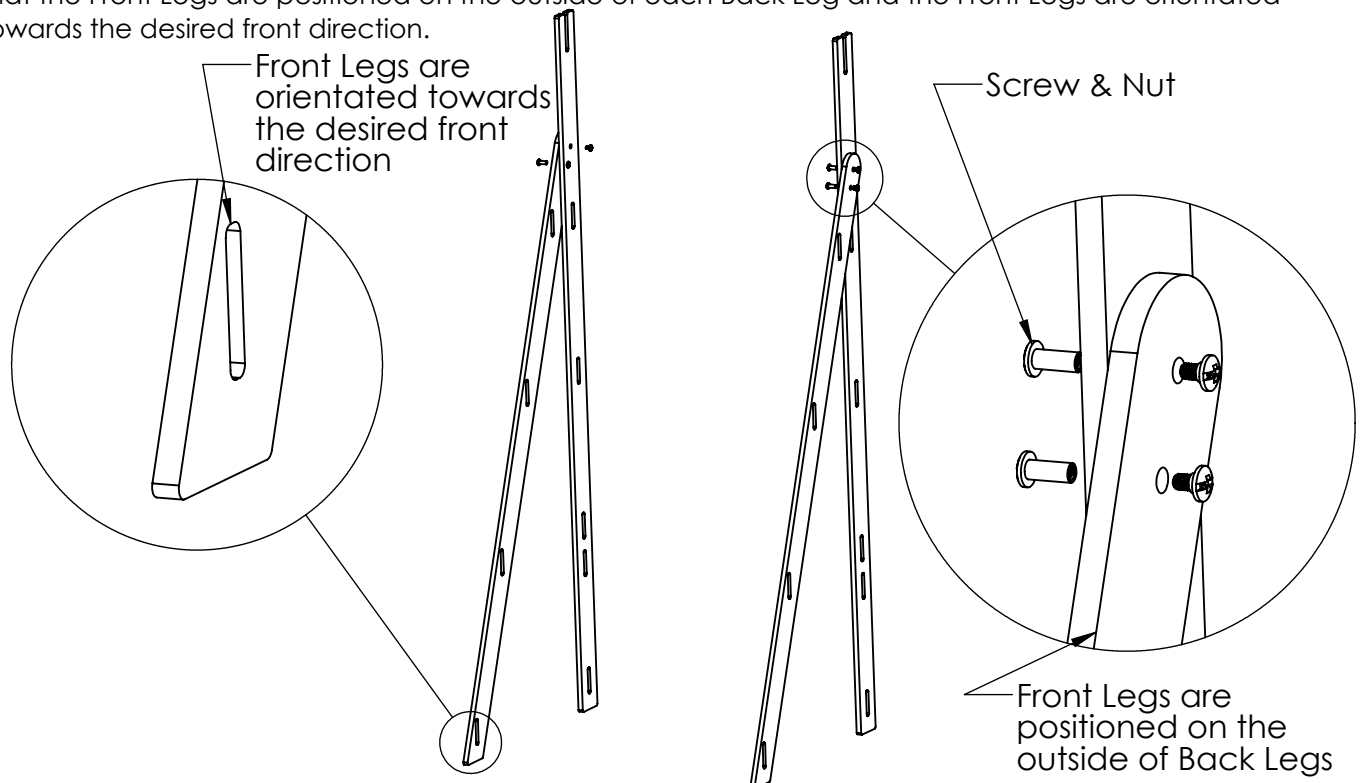
**Single Back Brace (3 pcs)**

**Double Back Brace (1 pc)**

**Front Brace (4 pcs)**

**\*Tools Required for assembly : Flathead & Phillips-head screwdriver (Not Included)**

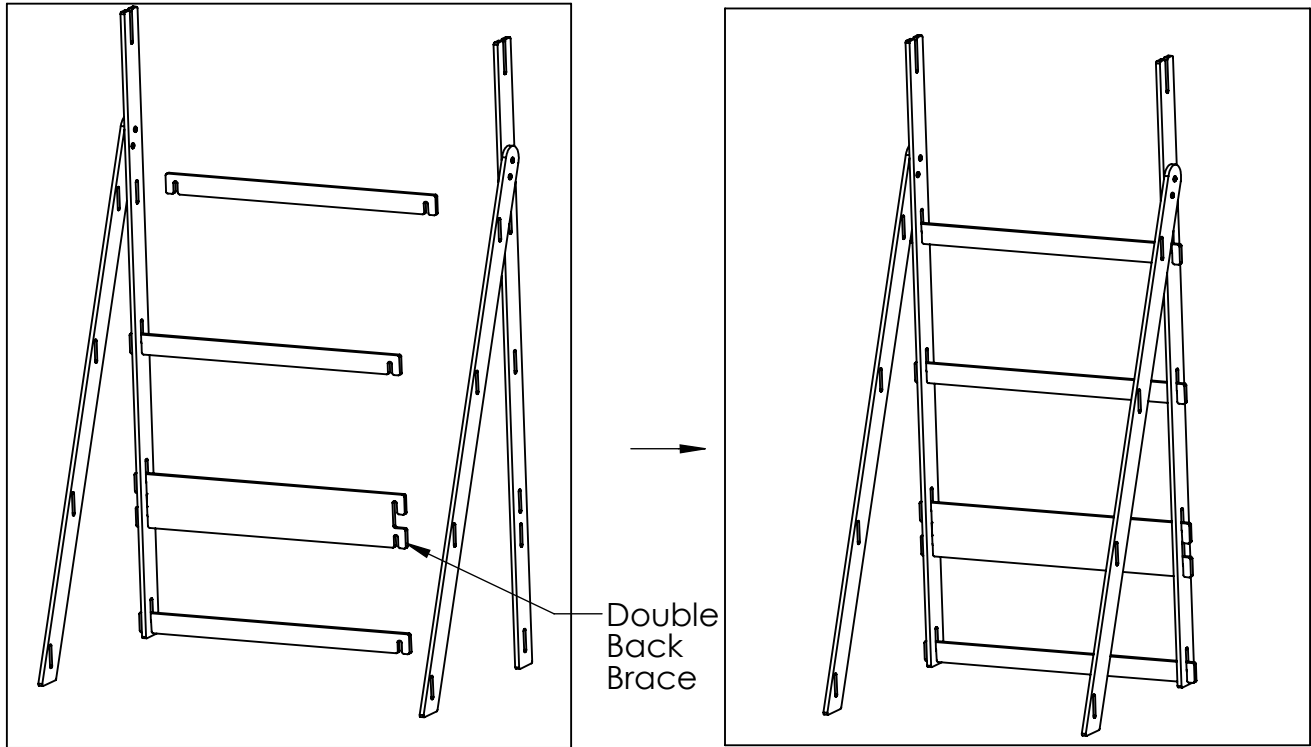
**STEP 1:** Connect the Front Legs to the Back Legs by assembling the Screw & Nut to the two (2) top holes of the legs. The connection should feel snug but do not overtighten the metal hardware. Make sure that the Front Legs are positioned on the outside of each Back Leg and the Front Legs are orientated towards the desired front direction.



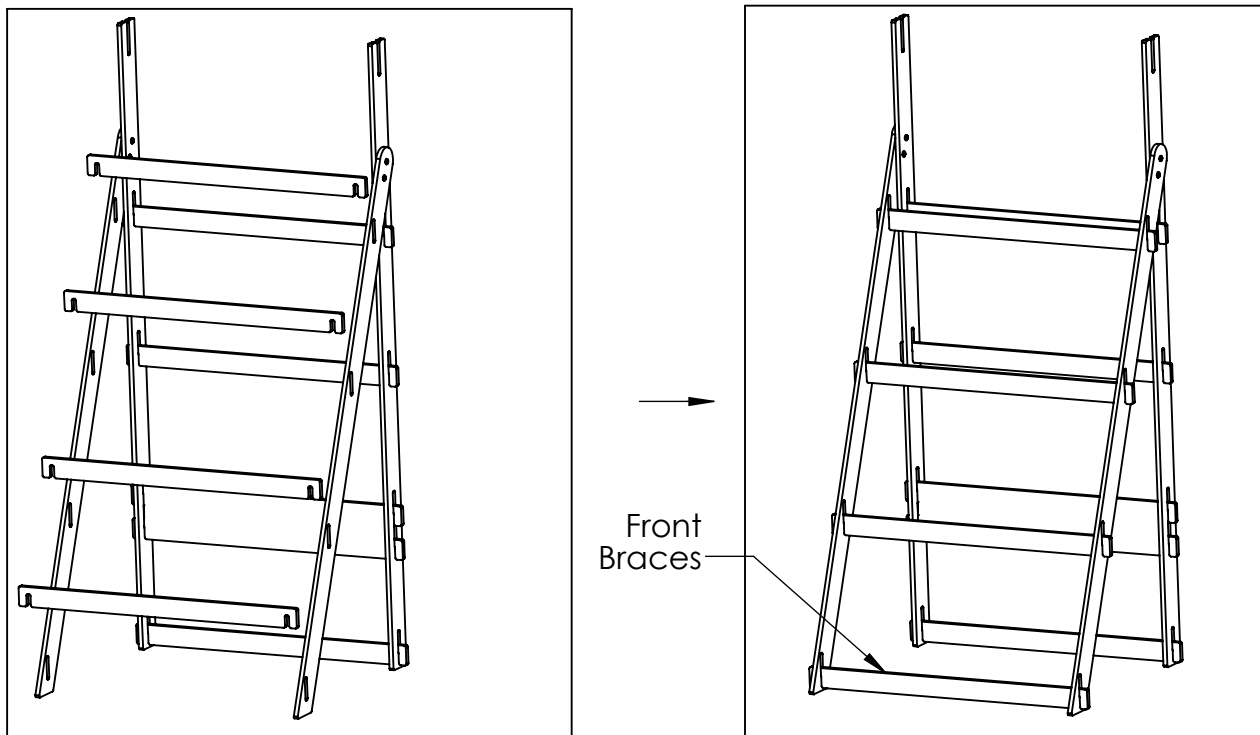
shopPOPdisplays makes no claim that these assembly instructions cover all details, conditions, or variations, or that they cover all possible contingencies in connection with the assembly or installation of this product. It is the purchaser's responsibility to ensure that all components of this product are properly assembled and installed in accordance with these instructions. shopPOPdisplays assumes no obligation or liability on account of any third-party recommendations, opinions, or advice as to the assembly or installation of this product.

**ASSEMBLY INSTRUCTIONS****PLEASE CAREFULLY READ & FOLLOW ALL THE INSTRUCTIONS IN THE DESIGNATED SEQUENCE.**

**STEP 2:** Attach all three (3) Single Back Braces to the corresponding slots on the Back Leg and the (1) Double Back Brace to its corresponding slot-the second from the bottom slot- on the Back Leg.



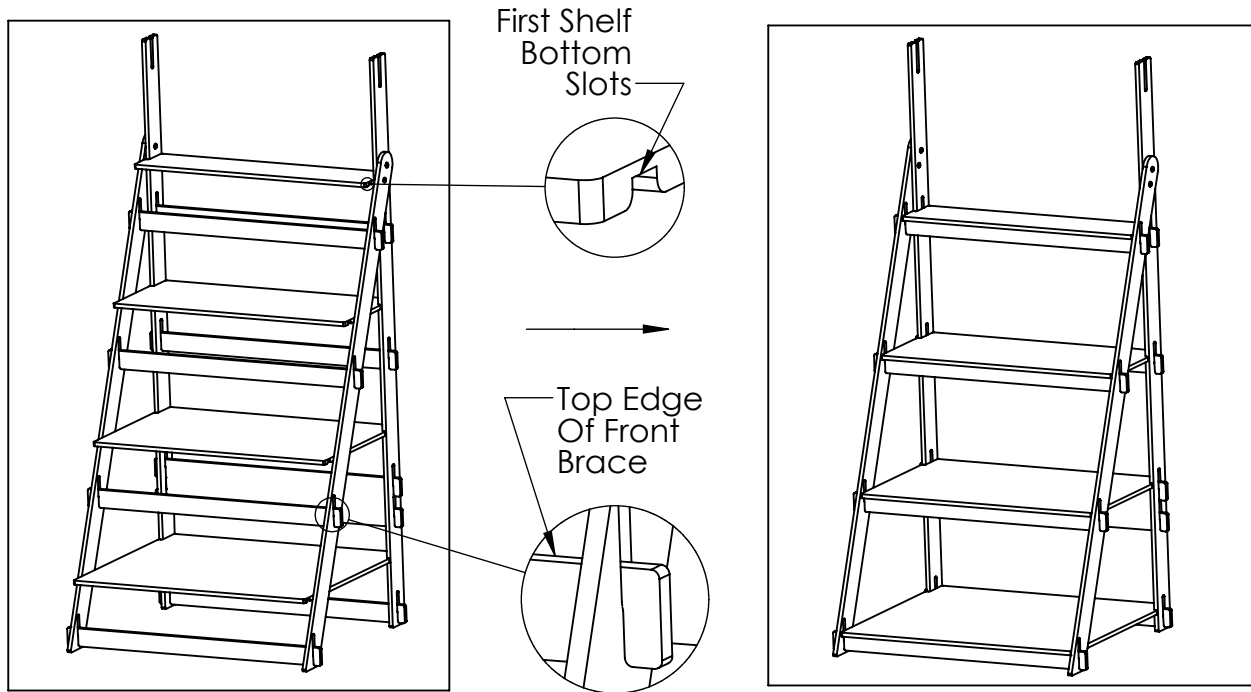
**STEP 3:** Attach the four (4) Front Braces to the corresponding slots on the Front Leg.



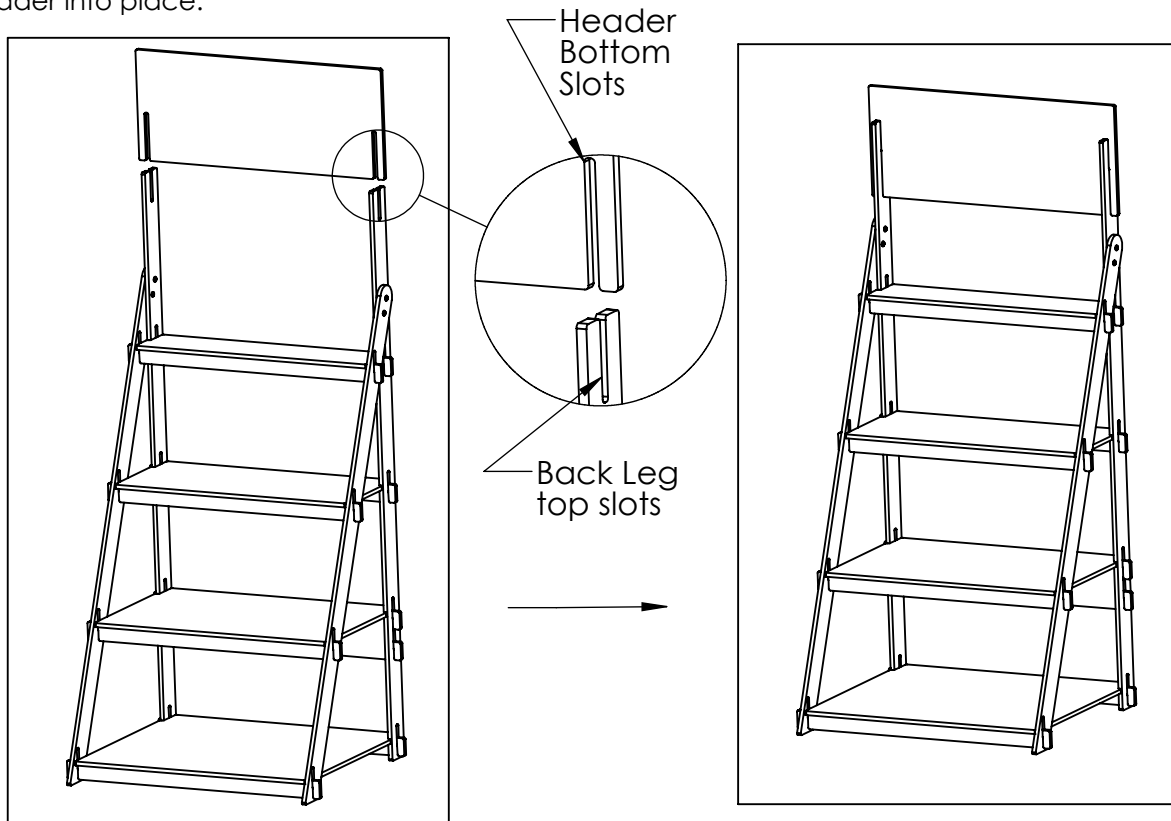
**ASSEMBLY INSTRUCTIONS**

**PLEASE CAREFULLY READ & FOLLOW ALL THE INSTRUCTIONS IN THE DESIGNATED SEQUENCE.**

**STEP 4:** Attach the four (4) Shelves by aligning the bottom grooves of each Shelf to the top edge of the Front and Back Braces.



**STEP 5:** Align the bottom slots on the Header with the top slots on the Back Legs & slide the Header into place.



**ASSEMBLY INSTRUCTIONS**

**PLEASE CAREFULLY READ & FOLLOW ALL THE INSTRUCTIONS IN THE DESIGNATED SEQUENCE.**

ASSEMBLED MULTI-TIERED FLOOR STANDING WOODEN SHELVING WITH HEADER, COLLAPSIBLE

