

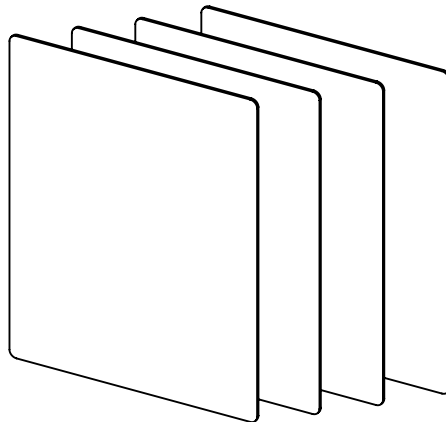
# Modular Table System

## ASSEMBLY INSTRUCTIONS

READ ALL INSTRUCTIONS BEFORE YOU BEGIN. DO NOT JUMP AHEAD OF ANY STEP.

### PARTS LIST:

Clear Panel  
(4 pcs)



X-Connector  
(1 pc)



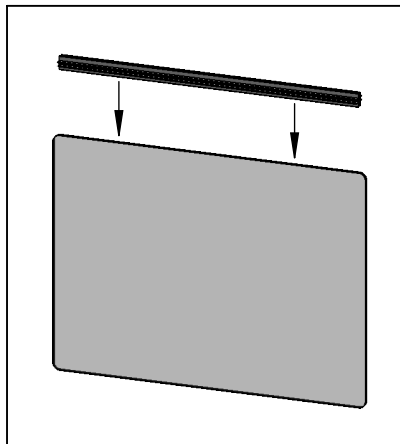
H-Connector  
(1 pc)

\*NO TOOLS REQUIRED

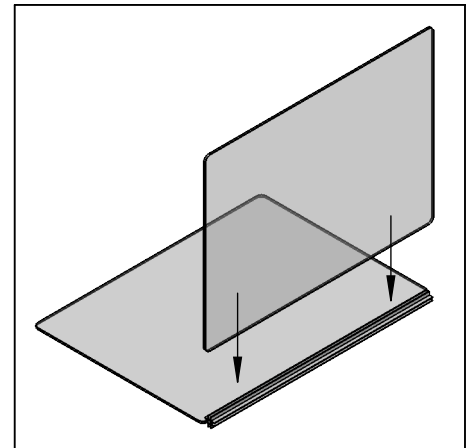
\*TWO PERSON ASSEMBLY RECOMMENDED

**STEP 1:** Peel off the protective plastic film from both sides of clear panels.

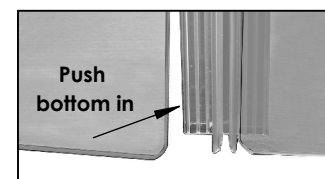
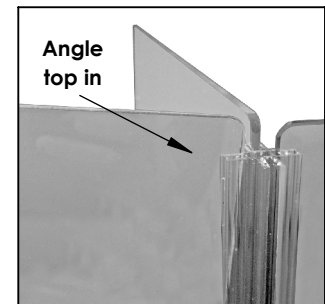
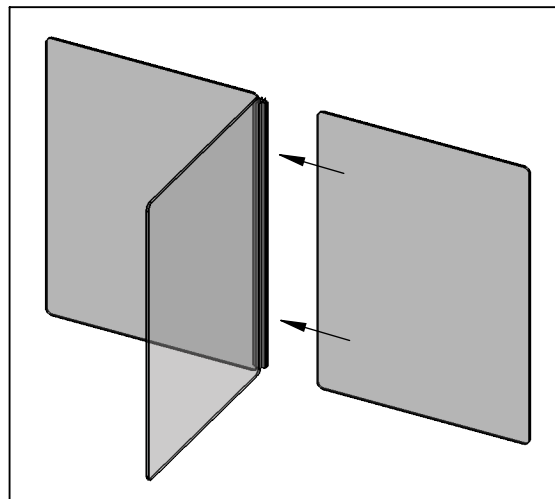
**STEP 2:** Take one panel and stand it up on its long edge. Attach X-connector to long edge of clear panel, firmly pressing down on it to make sure it is fully engaged with panel.



**STEP 3:** Lay panel down on flat surface. Insert another one of the clear panels into the X-connector perpendicular to the panel already installed.



**STEP 4:** Stand assembled panels upright on flat surface. Insert another clear panel into one of the open slots in X-Connector. Start by angling the top part of panel into X-connector, then push bottom corner into bottom of connector. Lastly, push the long edge of panel firmly towards X-connector and make sure panel is fully engaged with channel in X-connector.

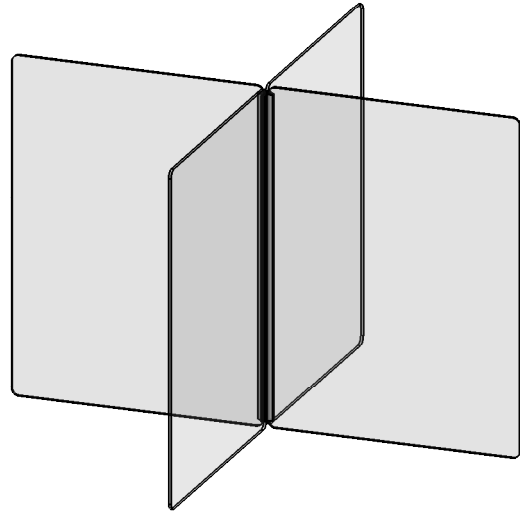
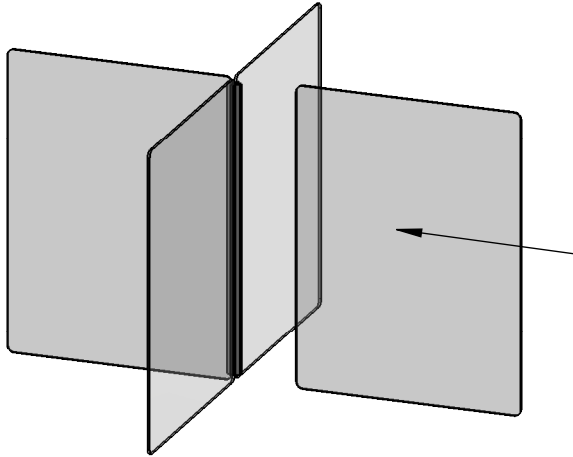


# Modular Table System

## ASSEMBLY INSTRUCTIONS

READ ALL INSTRUCTIONS BEFORE YOU BEGIN. DO NOT JUMP AHEAD OF ANY STEP.

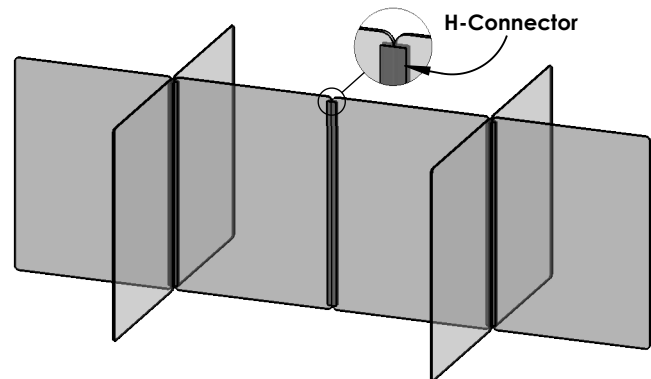
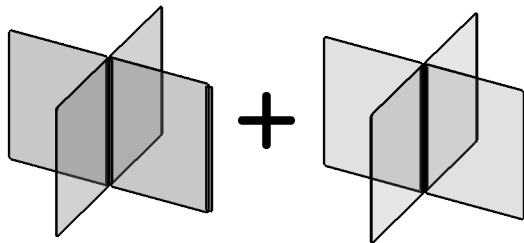
**STEP 5:** Repeat process in STEP 4 for attaching remaining clear panel.



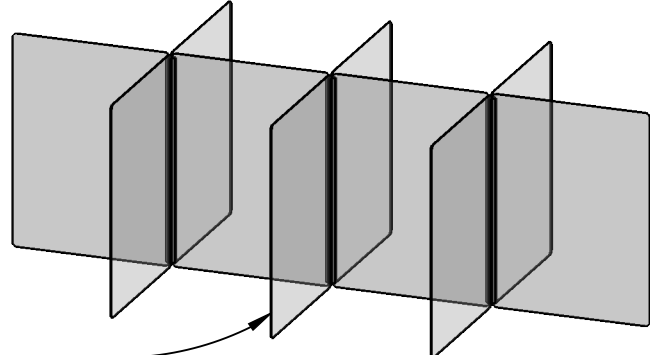
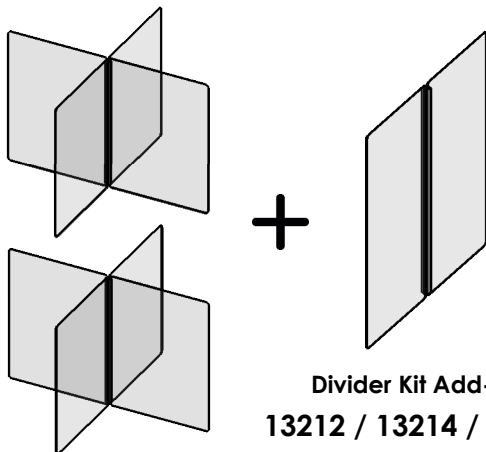
13211 / 13213 / 13215

## ASSEMBLY COMPLETED

**NOTE:** Attach supplied H-connector to an open long edge of one of the panels to connect multiple units together.



**NOTE:** Optional Divider Kits may also be purchased to create additional configurations:



Divider Kit Add-On  
13212 / 13214 / 13216