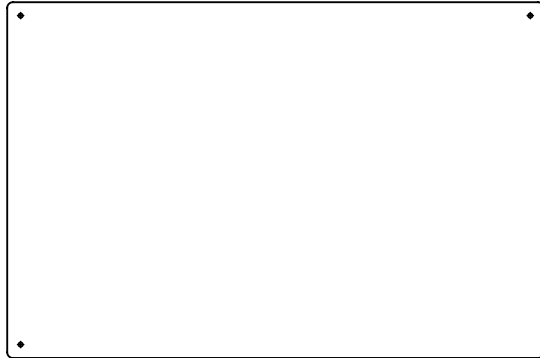


Hanging Shield

ASSEMBLY INSTRUCTIONS

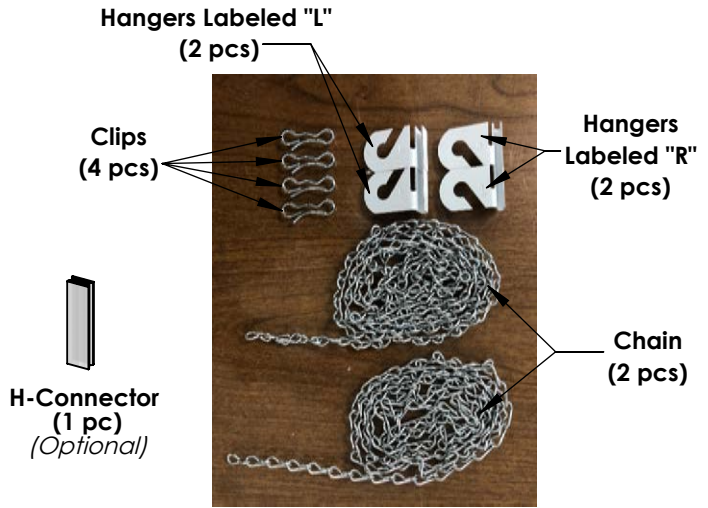
READ ALL INSTRUCTIONS BEFORE YOU BEGIN. DO NOT JUMP AHEAD OF ANY STEP.

PARTS LIST:



Clear Plastic Panel (1 pc)
(with Pre-Drilled Hanging Holes for use in horizontal or vertical application)

***2 PERSON ASSEMBLY RECOMMENDED**



NOTE: IF YOU ARE HANGING SHIELD DIRECTLY FROM A CEILING ROD, HANGERS ARE NOT NEEDED.

****START AT STEP 1 IF HANGING FROM SUSPENDED CEILING**
****SKIP AHEAD TO STEP 3 IF HANGING FROM CEILING RODS/ BARS.**

STEP 1: Attach both Hangers labeled "L" to the frame of the suspended ceiling to the left of the desired shield position. Lift the ceiling tiles to slide the hangers on each side of the frame as shown below.



NOTE : The Hangers must form a closed circle as shown. This is only possible by using two Hangers labeled "L"

STEP 2: Repeat STEP 1 with both Hangers labeled "R" on the ceiling frame to the right of the one used in STEP 1. Ensure that this hook is far enough from the previous one such that the chains will make a "V" shape when shield is hung.



NOTE : The Hangers must form a closed circle as shown. This is only possible by using two Hangers labeled "R"

Hanging Shield

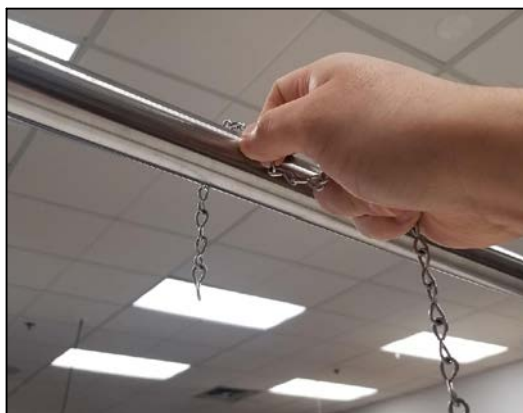
ASSEMBLY INSTRUCTIONS

READ ALL INSTRUCTIONS BEFORE YOU BEGIN. DO NOT JUMP AHEAD OF ANY STEP.

STEP 3 (FOR SUSPENDED CEILING): Loop one of the chains through the hole in the Hangers labeled "L". Feed chain downward.

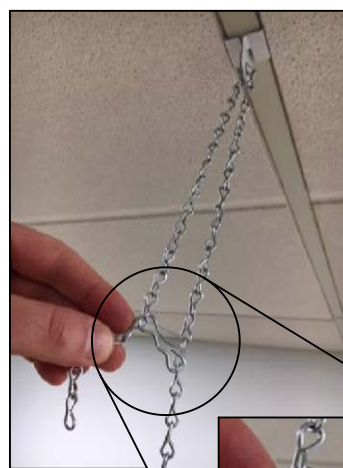


STEP 3 (FOR CEILING ROD/ BARS): Drape chain over rod/ bar. Feed chain downward.



STEP 4: Using a Clip, attach the chain hanging on the left of the Hanger/ ceiling rod to itself by inserting one end of the clip through a chain link on left and the other end of the clip through a chain link on right. Make sure chain loops are secured in each end of the clip.

NOTE : The location at which the Clip is used to attach the Chain to itself will determine how low or high the shield will hang. Use a smaller loop for a lower hanging shield and a larger loop for a higher hanging shield. This may take some adjustment.



STEP 5: Repeat STEPS 3-4 for installation of chain on right side.

Hanging Shield

ASSEMBLY INSTRUCTIONS

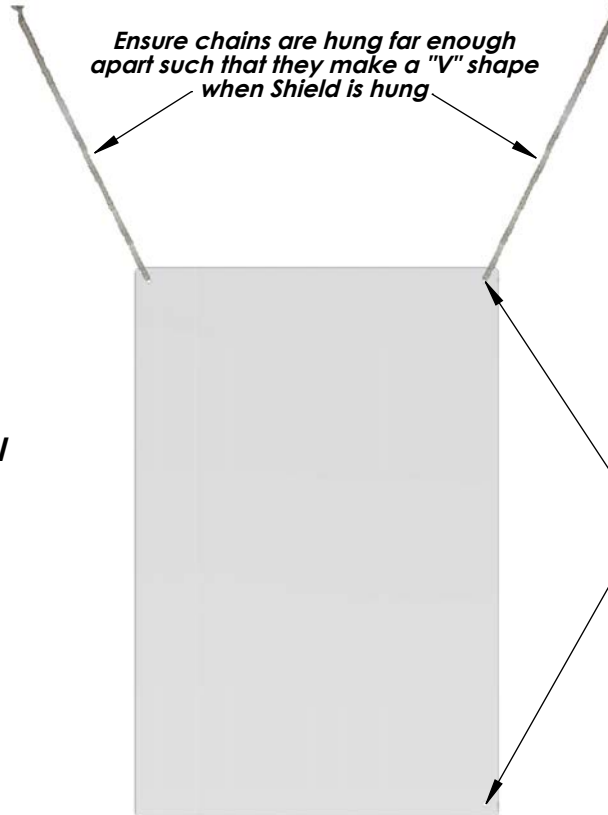
READ ALL INSTRUCTIONS BEFORE YOU BEGIN. DO NOT JUMP AHEAD OF ANY STEP.

STEP 6: Peel off the protective plastic film from both sides of the Clear Plastic Panel. Next, feed chain hanging down from ceiling on left side through hole at the top left of clear panel. Loop chain back up towards hanging chain and attach to itself using another Clip. Follow same procedure as in STEP 4, again ensuring chain loops are secured in each end of the clip.



STEP 7: Repeat STEP 6 for attaching right chain through hole in top right of clear plastic panel.

ASSEMBLY COMPLETED



*****Please note that Hanging Shield may also be used in a horizontal orientation. To be hung in a horizontal orientation, simply use the hanging holes on the long side of the clear panel instead.***

****Shown in vertical orientation at right***

Use these holes to hang shield Horizontally

See reverse side for connecting multiple Hanging Shields together →

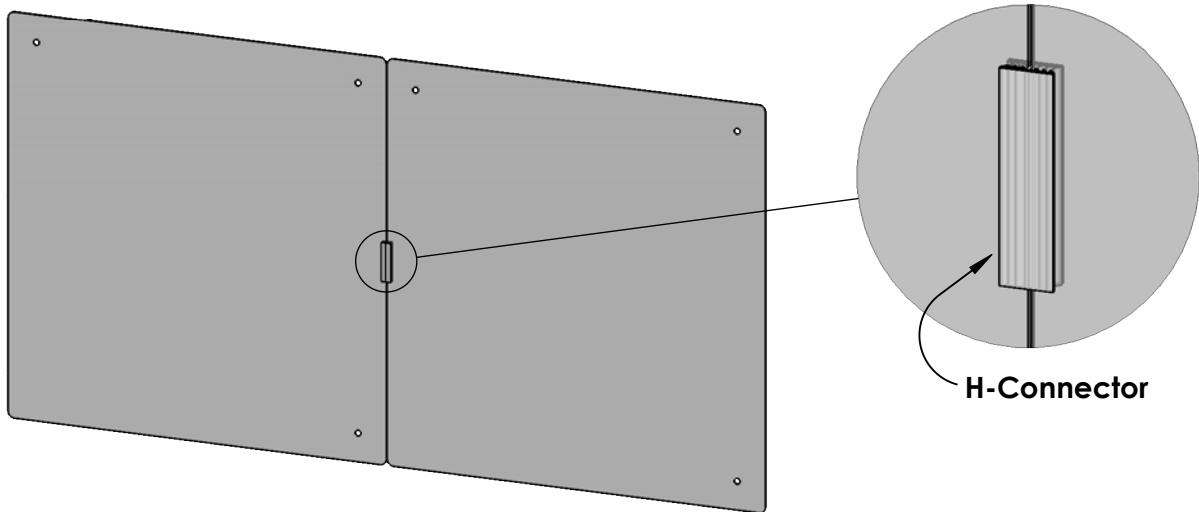
13101 / 13102

Hanging Shield

ASSEMBLY INSTRUCTIONS

READ ALL INSTRUCTIONS BEFORE YOU BEGIN. DO NOT JUMP AHEAD OF ANY STEP.

**TO CONNECT MULTIPLE HANGING SHIELDS TOGETHER,
USE SUPPLIED H-CONNECTOR AS SHOWN BELOW:**



To install, push one half of H-Connector onto center of side edge of one of the installed Hanging Shields. Then connect other half to side edge of adjoining Hanging Shield.

