

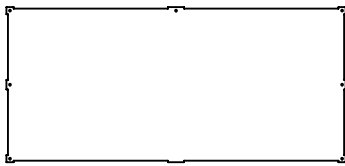
General Instruction Sheet

ASSEMBLY INSTRUCTIONS

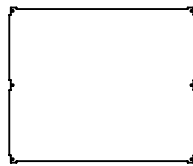
PLEASE CAREFULLY READ AND FOLLOW ALL THE INSTRUCTIONS IN THE DESIGNATED SEQUENCE.

CASE PARTS LIST:

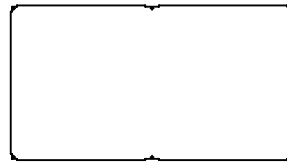
*PART QUANTITY WILL DIFFER BETWEEN SETS



FRONT/BACK PANEL
(2 pcs)



SIDE PANEL
(2 pcs)



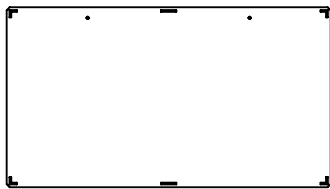
TOP PANEL
(1 pc)



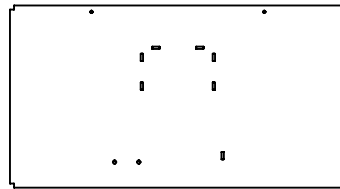
CUBE*



SCREW*



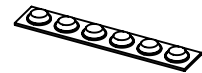
BOTTOM BASE PANEL
(1 pc)



TOP BASE PANEL
(1 pc)



LEGO® STUD*

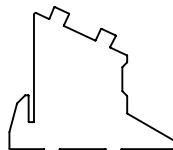


BUMPONS*

STAND PARTS LIST (where applicable):

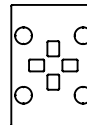


BACK SUPPORT*



LEFT/RIGHT SUPPORT*

PLATE PART LIST (where applicable):



PLATE*



FRONT STAND*

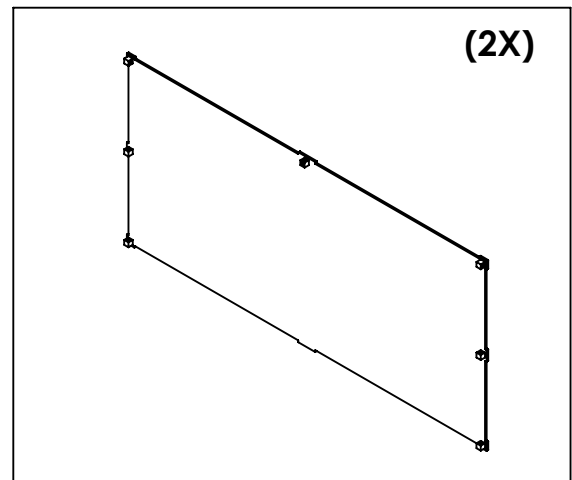
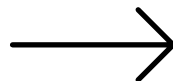
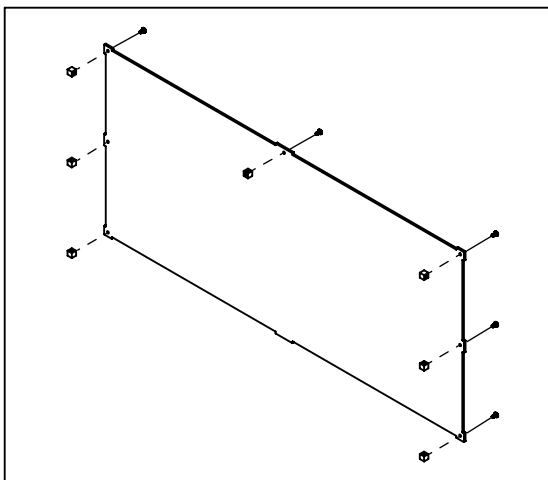


CLEAR LEGO®
STUD*

COVER ASSEMBLY

STEP 1: Remove protective film from both sides of each part before assembly.

STEP 2: Attach Cubes to both Front/Back Panels using Screws. Do not over-tighten so that screws are easy to rotate, if the position of the holes on the cubes needs to be adjusted. Use manual tools only. Do not use power tools.

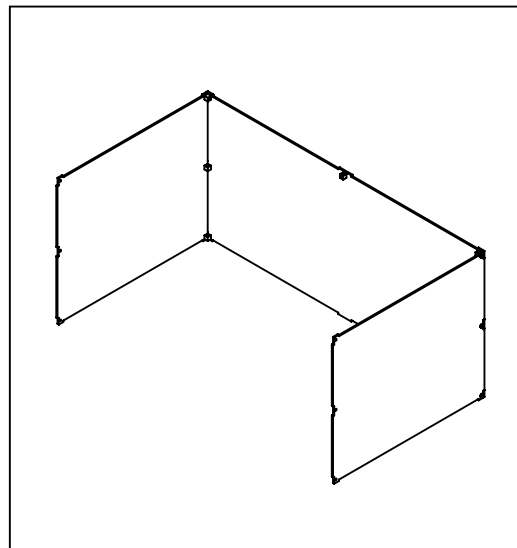
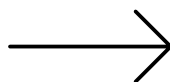
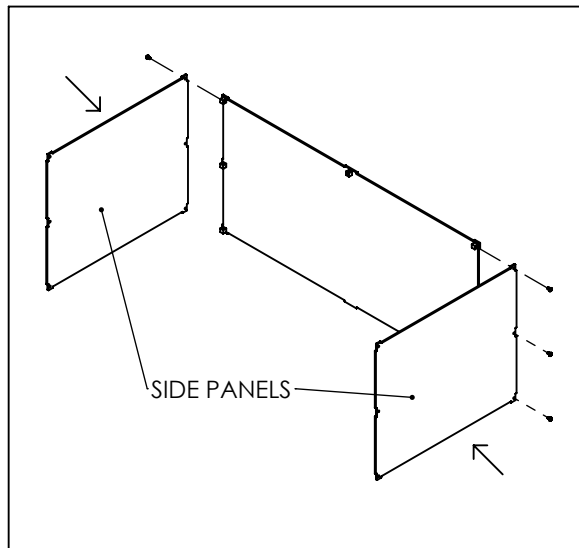


General Instruction Sheet

ASSEMBLY INSTRUCTIONS

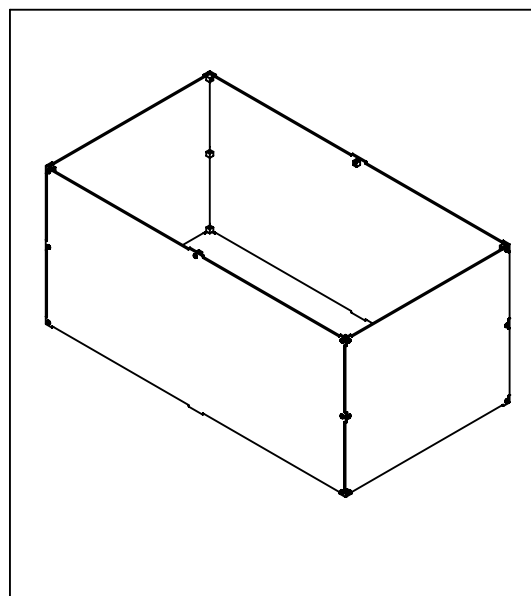
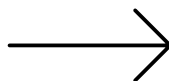
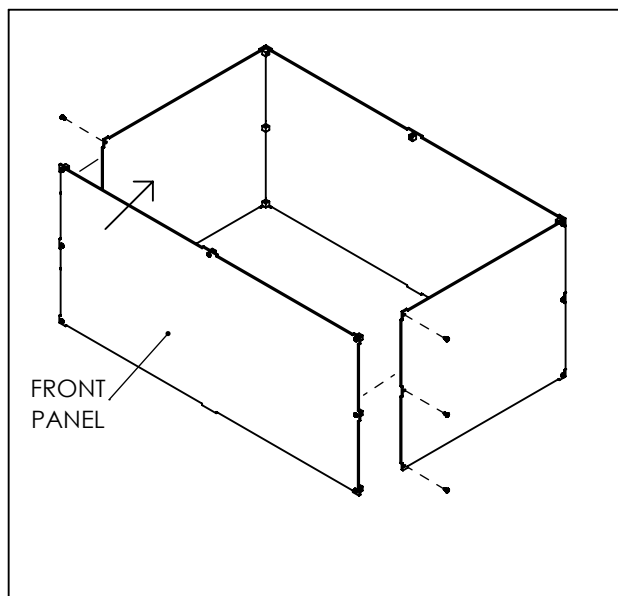
PLEASE CAREFULLY READ AND FOLLOW ALL THE INSTRUCTIONS IN THE DESIGNATED SEQUENCE.

STEP 3: Attach both Side Panels to one Front/Back panel using screws.



STEP 4: Attach other Front/Back Panels to Side Panels using Screws. Once completed, add Cubes to the top of the Side Panels if necessary.

*If the set uses a magnetic Front Panel then attach that panel to the front of the unit. The cubes are magnetic.

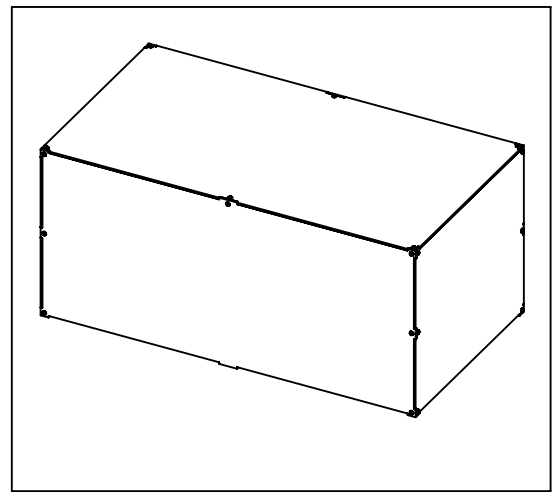
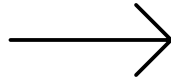
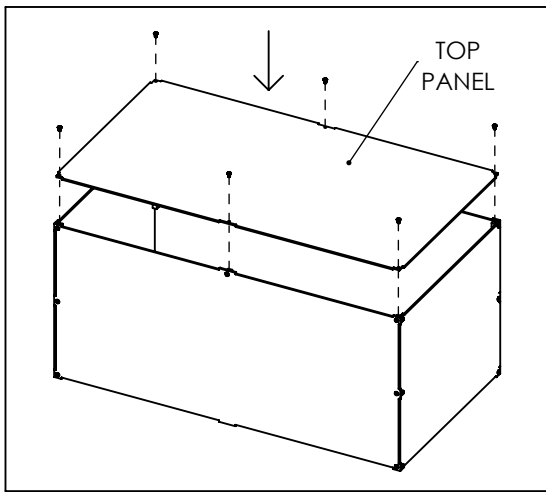


General Instruction Sheet

ASSEMBLY INSTRUCTIONS

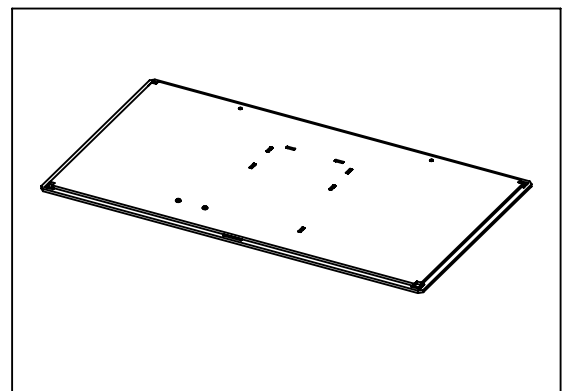
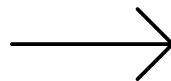
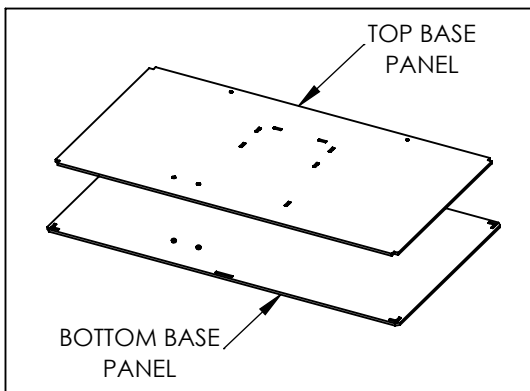
PLEASE CAREFULLY READ AND FOLLOW ALL THE INSTRUCTIONS IN THE DESIGNATED SEQUENCE.

STEP 5: Place Top Panel on assembled unit and attach using screws.

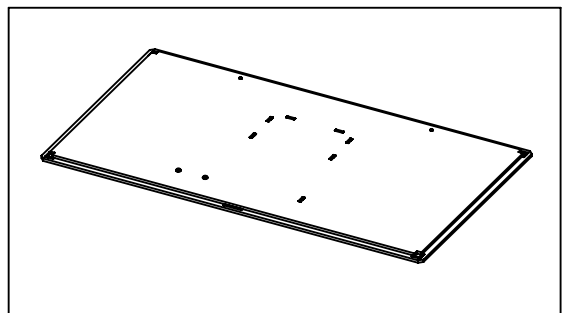
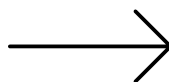
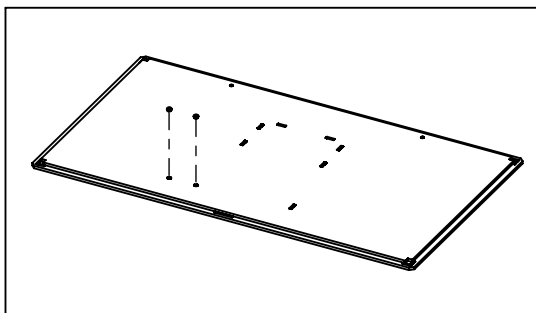


BASE ASSEMBLY

STEP 1: Place Top Base Panel on top of Bottom Base Panel allowing magnets to locate the panels together. Ensure that the base panel is correctly oriented in the desired direction. Position the magnets on the base towards the rear of the LEGO® Set, where applicable. For specific direction on the intended orientation, please refer to images on our website.



STEP 2: Use even pressure to insert LEGO® Studs into hole cutouts on Top Base Panel where applicable.

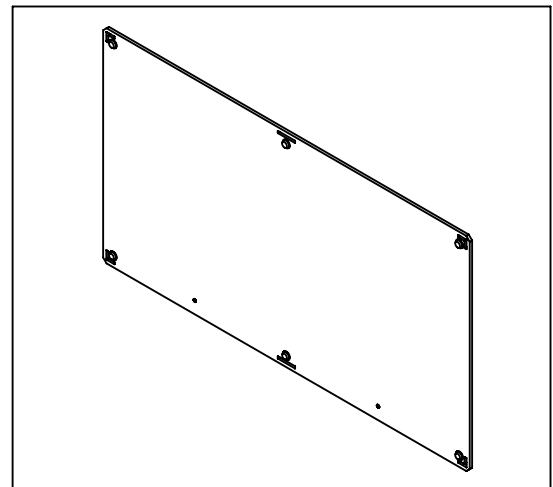
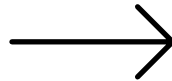
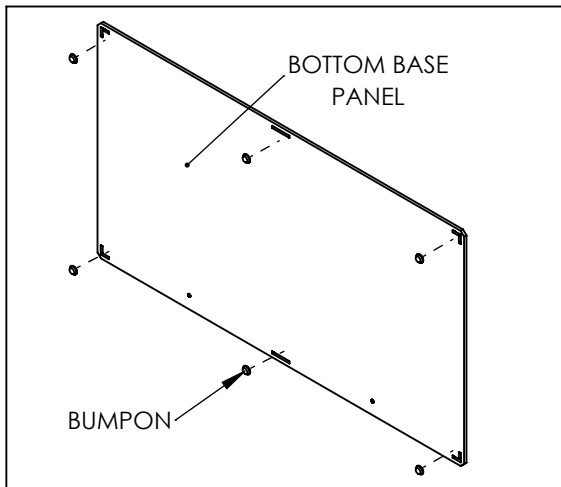


General Instruction Sheet

ASSEMBLY INSTRUCTIONS

PLEASE CAREFULLY READ AND FOLLOW ALL THE INSTRUCTIONS IN THE DESIGNATED SEQUENCE.

STEP 3: Attach Bumpons to the underside of Bottom Base Panel as shown. Ensure Bumpons don't cover slots when attaching.

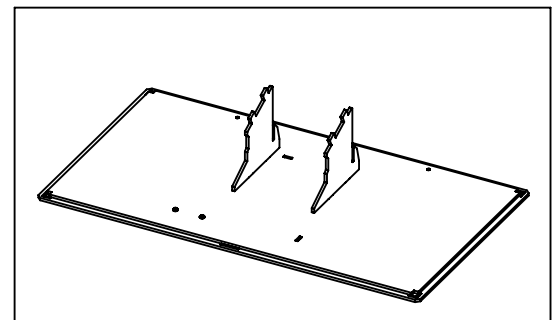
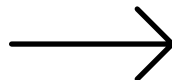
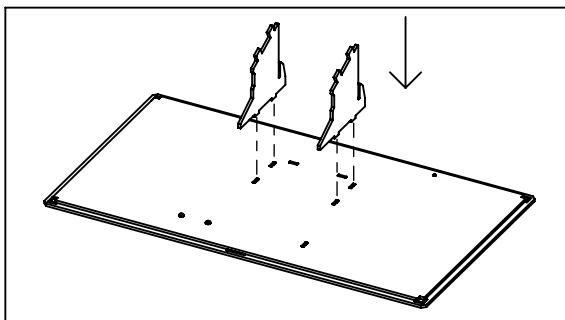


STEP 4: Tighten all screws to make sure they are stable and the unit is sturdy. Do not over-tighten.

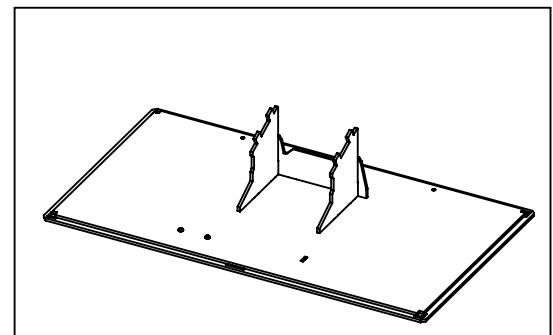
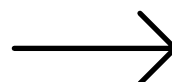
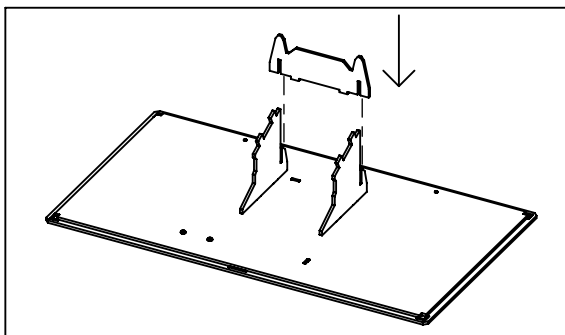
Note: To clean, use non-abrasive soft cloths with mild soap and water or Novus acrylic cleaner. **Do not use glass cleaner. Cleaners containing ammonia and alcohol as well as hand sanitizer, perfume or cologne can damage (craze) the acrylic.**

STAND ASSEMBLY:

STEP 1: Place Left/Right Support in vertical slots.



STEP 2: Slide Back Support into horizontal slots on Base Assembly and slots of Left/Right Supports.



General Instruction Sheet

ASSEMBLY INSTRUCTIONS

PLEASE CAREFULLY READ AND FOLLOW ALL THE INSTRUCTIONS IN THE DESIGNATED SEQUENCE.

STEP 3: Insert Front Stand into Vertical slot at front of Base Assembly.

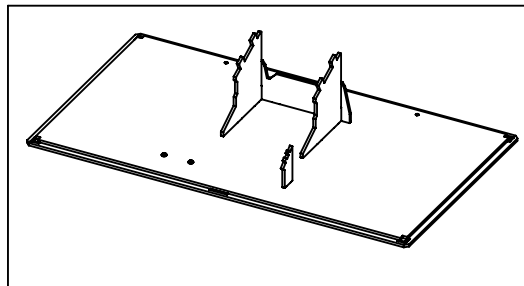
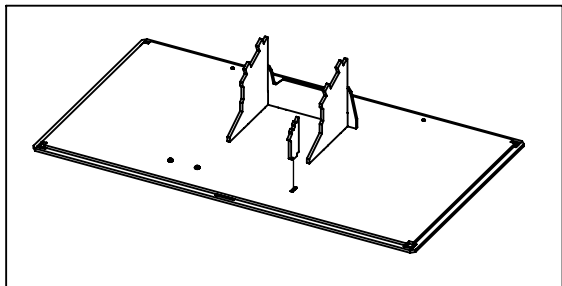
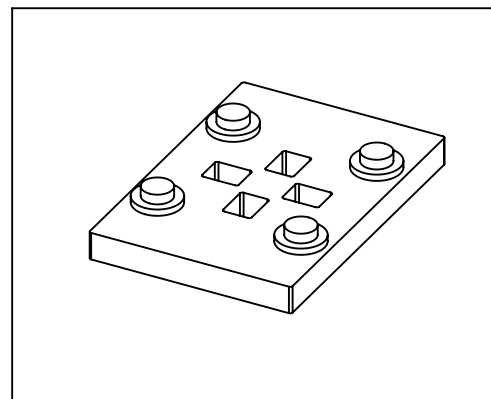
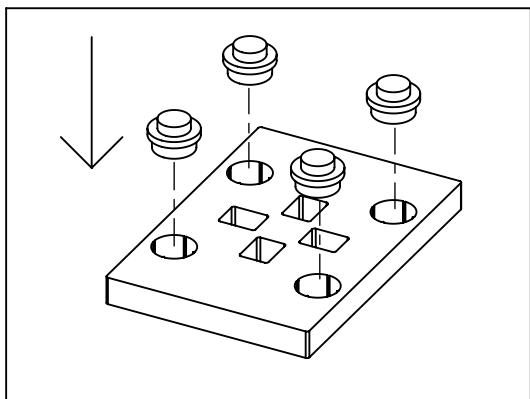
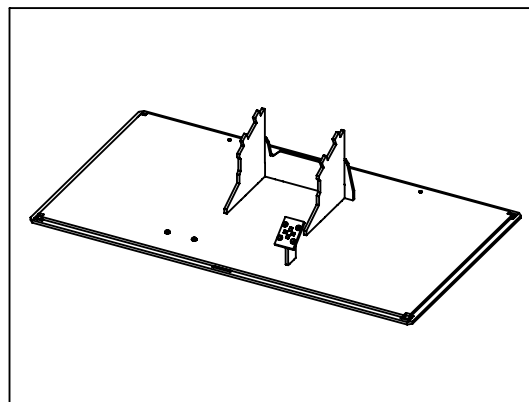
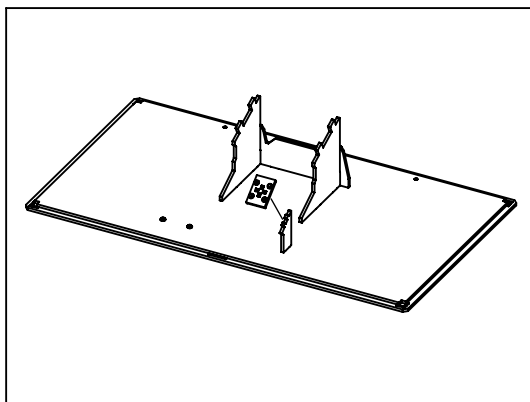


PLATE ASSEMBLY:

STEP 1: Using even pressure, insert Clear LEGO® Studs into hole cutouts on Plate.



STEP 2: Using slots on plate press fit Plate on top of Front Stand.

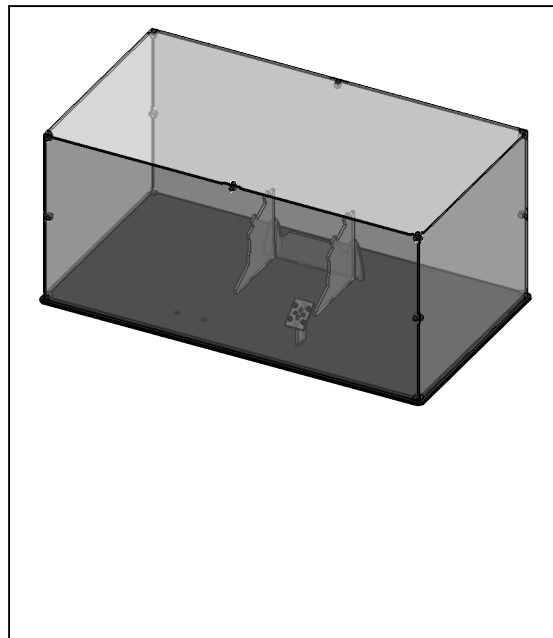
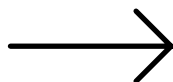
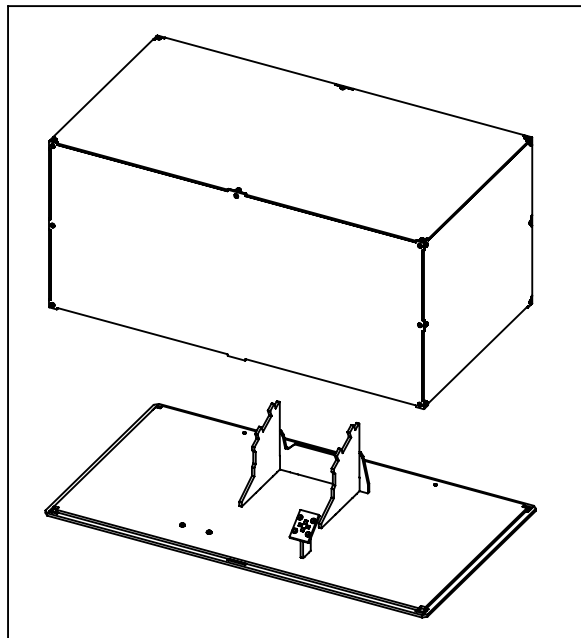


General Instruction Sheet

ASSEMBLY INSTRUCTIONS

PLEASE CAREFULLY READ AND FOLLOW ALL THE INSTRUCTIONS IN THE DESIGNATED SEQUENCE.

FINAL ASSEMBLY: After placing LEGO® set on stand, and Plaque on Plate, place Cover Assembly over top of set and slide tabs into slots on Base Assembly.



ASSEMBLY COMPLETED

