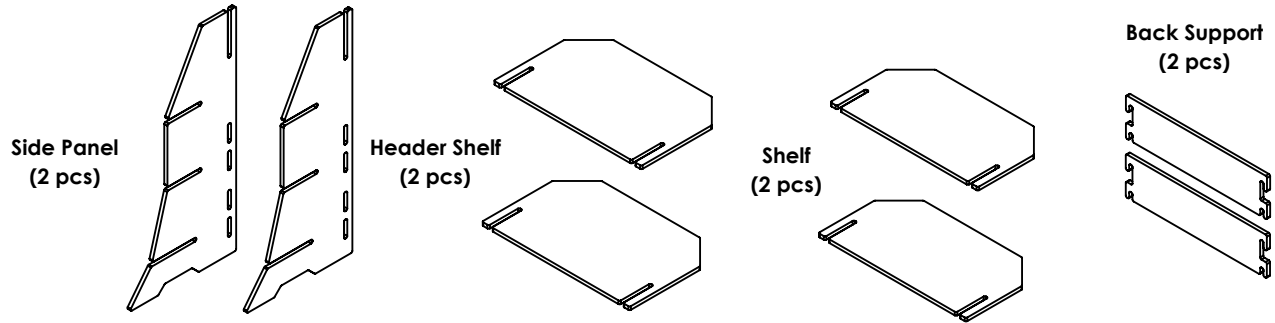


#18006 Wooden Large 3 Tier Countertop Display

ASSEMBLY INSTRUCTIONS

READ ALL INSTRUCTIONS BEFORE YOU BEGIN. DO NOT JUMP AHEAD OF ANY STEP.

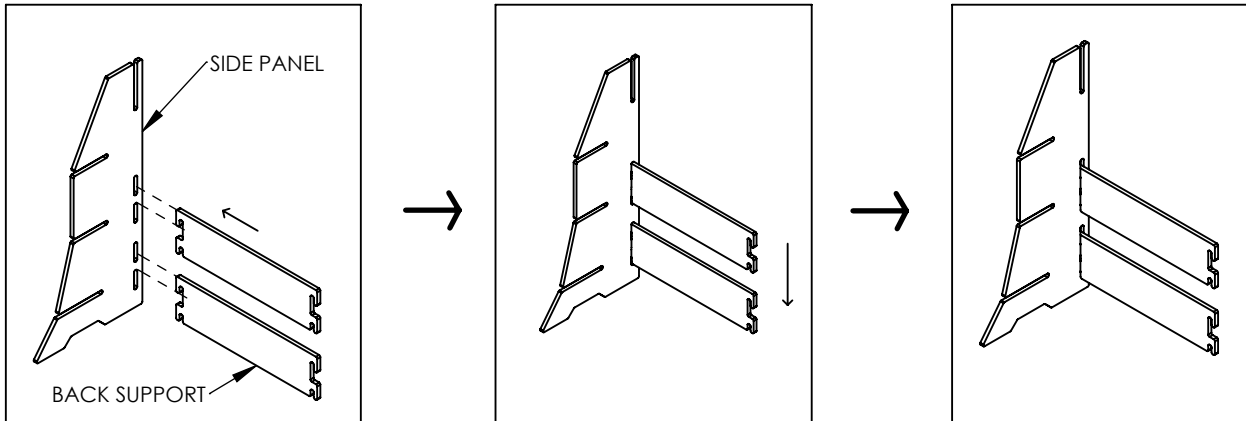
PARTS LIST:



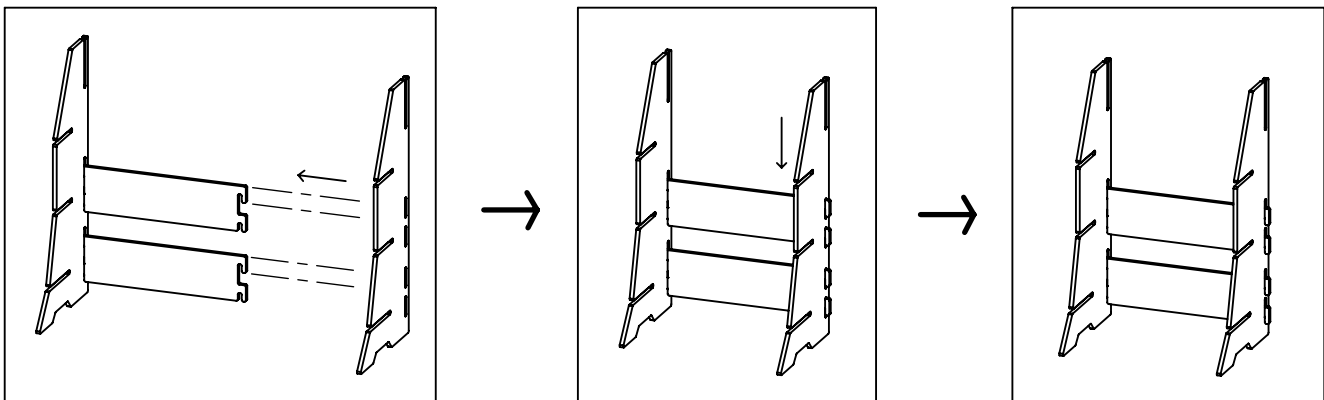
***RECOMMENDED : 1 PERSON ASSEMBLY**

**RECOMMENDED TOOLS: Rubber Mallet (Sold Separately)

STEP 1: On an even flat surface stand a Side Panel upright, as shown below. While holding the Side Panel upright, simultaneously slide the hooks on the Back Supports into the corresponding slots on Side Panel. Slide the Back Supports down until the hooks fully engage the slots on the Side Panel. *Note: If needed, using a rubber mallet (sold separately), gently tap the parts into place.*



STEP 2: Repeat STEP 1 for the other Side Panel.

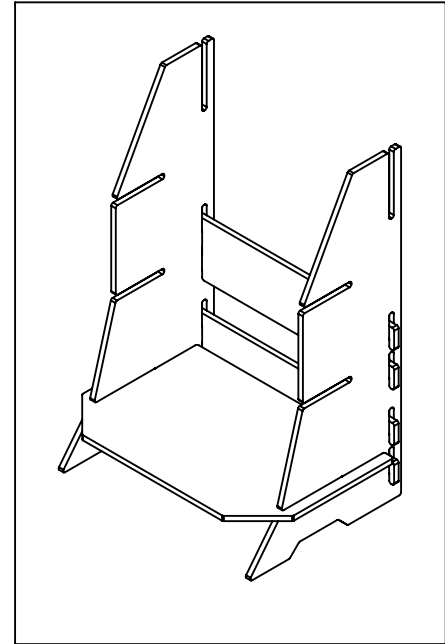
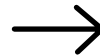
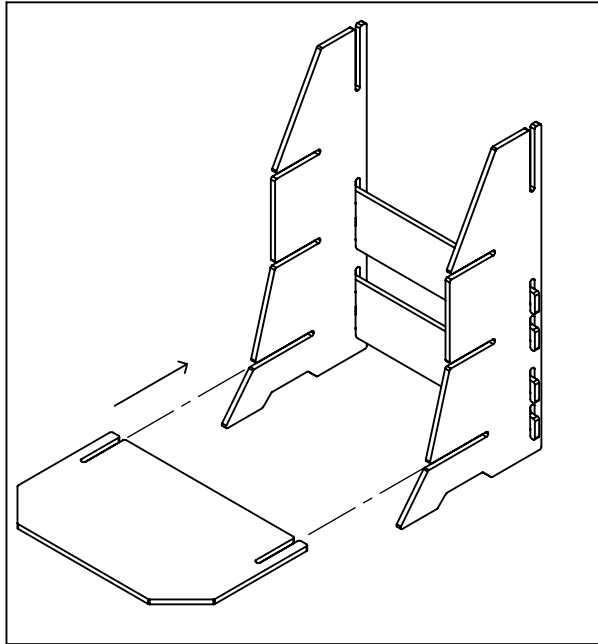


#18006 Wooden Large 3 Tier Countertop Display

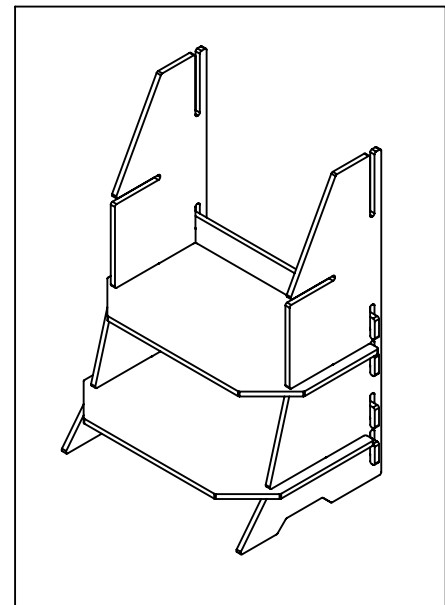
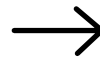
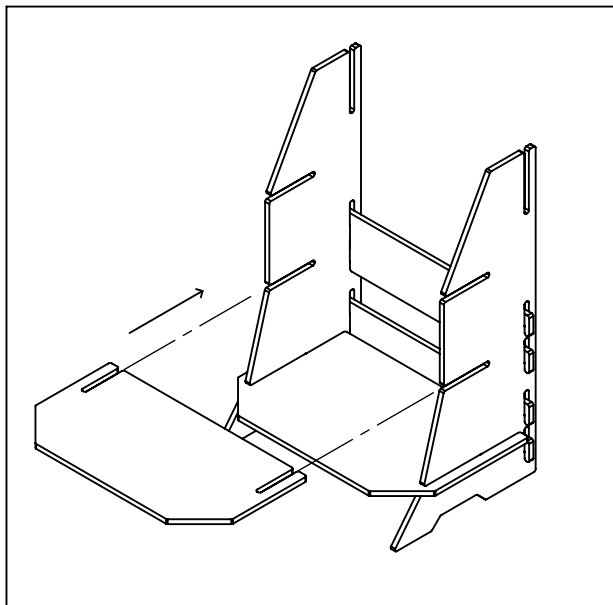
ASSEMBLY INSTRUCTIONS

READ ALL INSTRUCTIONS BEFORE YOU BEGIN. DO NOT JUMP AHEAD OF ANY STEP.

STEP 3: Insert a Header Shelf into the bottom slots on the Side Panels.
Note: If needed, using a rubber mallet (sold separately), gently tap the parts into place.



STEP 4: Take a Shelf and slide into the next slot opening from the bottom on the Side Panels. *Note: If needed, using a rubber mallet (sold separately), gently tap the parts into place.*

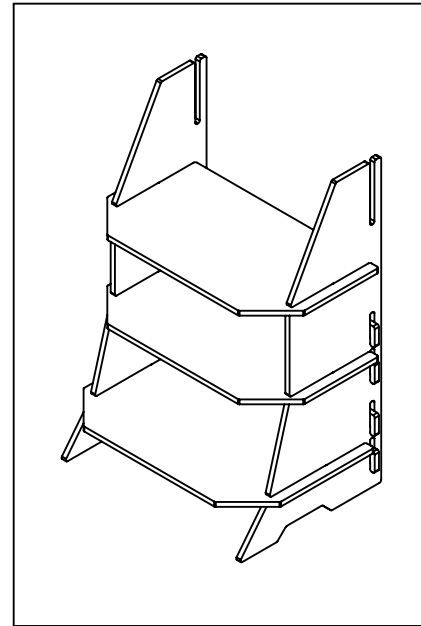
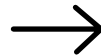
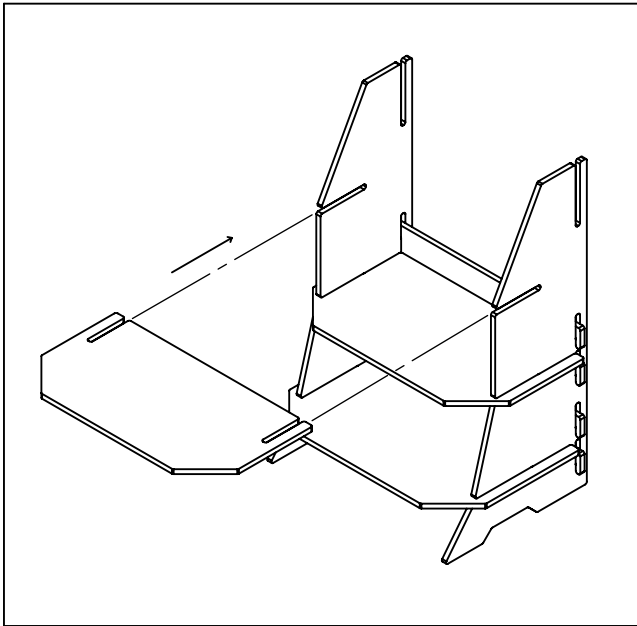


#18006 Wooden Large 3 Tier Countertop Display

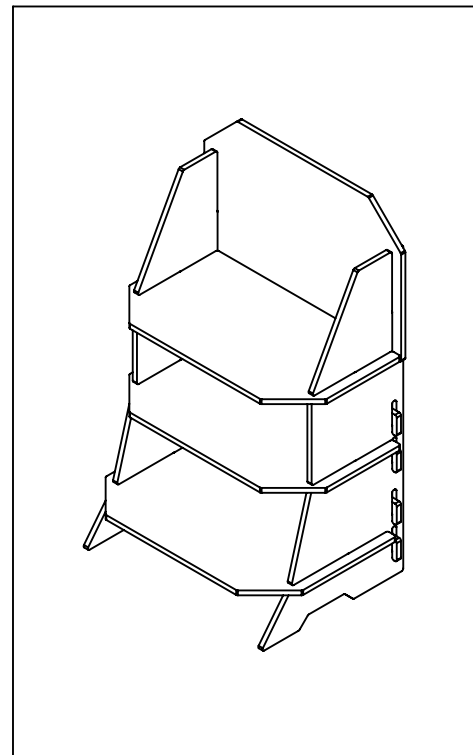
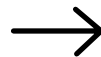
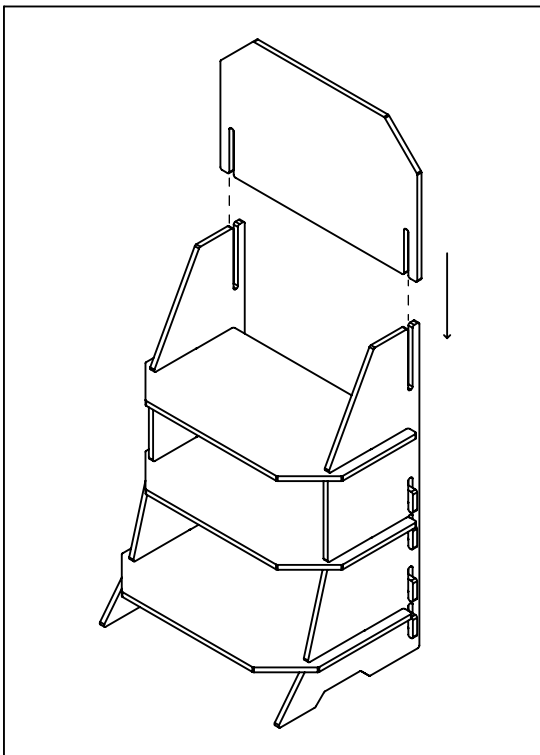
ASSEMBLY INSTRUCTIONS

READ ALL INSTRUCTIONS BEFORE YOU BEGIN. DO NOT JUMP AHEAD OF ANY STEP.

STEP 5: Repeat Step 4 for the remaining Shelf as shown below.



STEP 6: Insert remaining Header Shelf into top vertical slots on both Side Panels, as shown below. *Note: If needed, using a rubber mallet (sold separately), gently tap the parts into place.*



ASSEMBLY COMPLETED

