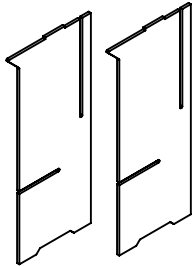


#18000 Portable Wooden Counter with Inner Shelf

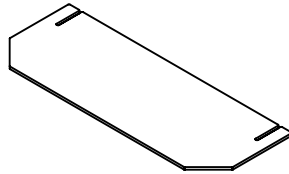
ASSEMBLY INSTRUCTIONS

READ ALL INSTRUCTIONS BEFORE YOU BEGIN. DO NOT JUMP AHEAD OF ANY STEP.

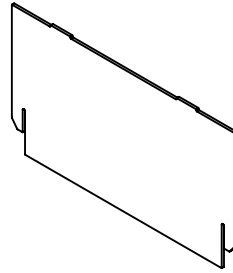
PARTS LIST:



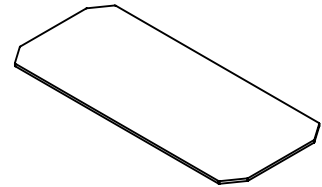
SIDE PANEL
(2 pcs)



SHELF PANEL
(1 pc)



BACK PANEL
(1 pc)

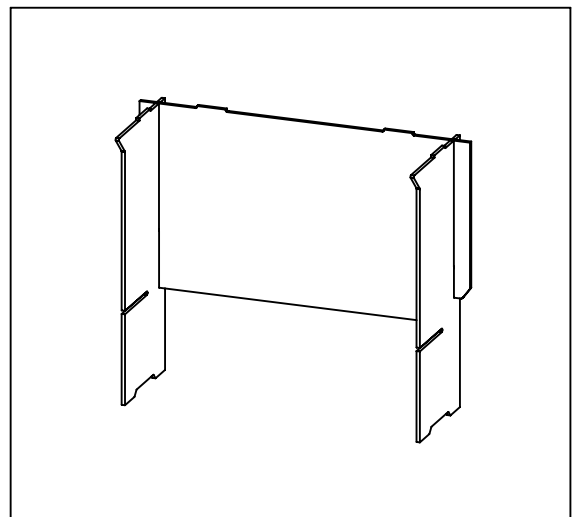
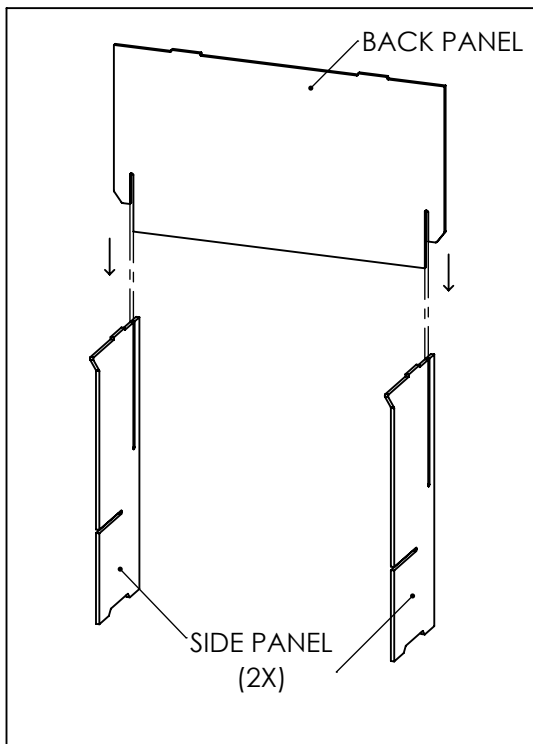


TOP PANEL
(1 pc)

*Recommended: 2 Person Assembly

**RECOMMENDED TOOLS: RUBBER MALLET (Sold Separately)

STEP 1: On an even flat surface stand both Side Panels upright, as shown below. While holding the Side Panels upright, simultaneously slide the slots of the Back Panel into the corresponding vertical slots of both Side Panels.
Note: If needed, using a rubber mallet (sold separately), gently tap the parts into place.



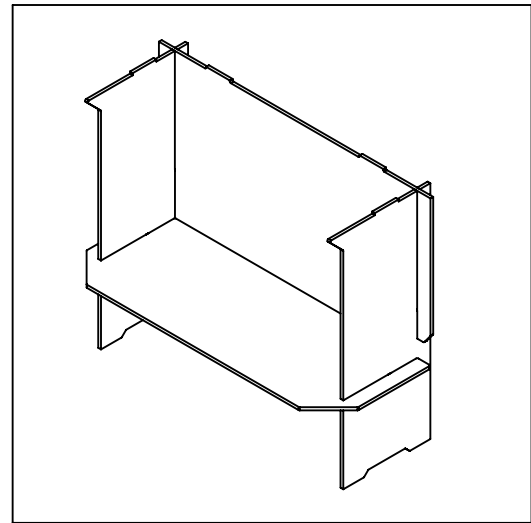
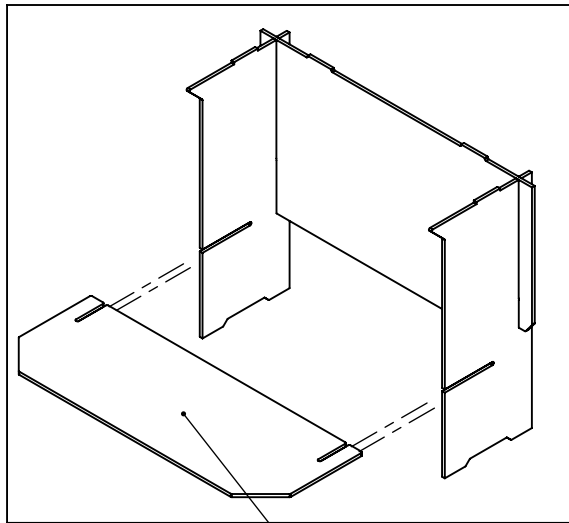
#18000 Portable Wooden Counter with Inner Shelf

page 2 of 3

ASSEMBLY INSTRUCTIONS

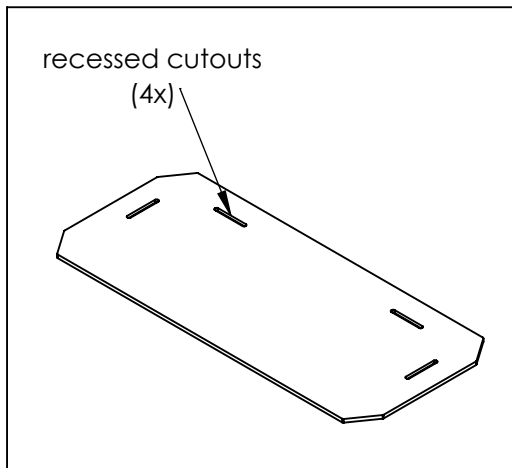
READ ALL INSTRUCTIONS BEFORE YOU BEGIN. DO NOT JUMP AHEAD OF ANY STEP.

STEP 2: Insert the Shelf Panel into the corresponding slot of each Side Panel, as shown below. *Note: If needed, using a rubber mallet (sold separately), gently tap the parts into place.*



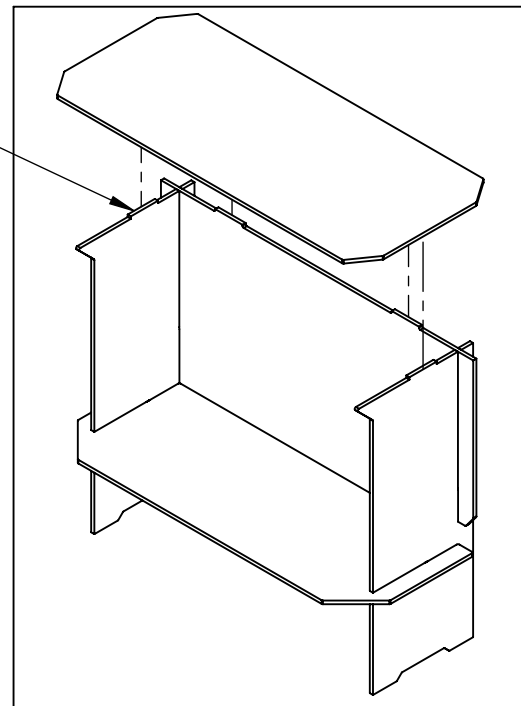
Middle Shelf

STEP 3: Place the Top Panel on the Back Panel and Side Panels. Align all four recessed cutouts in the Top Panel with the corresponding tabs on the Back Panel and Side Panels, as shown below.



TOP PANEL
(bottom view)

tabs
(4x)



ASSEMBLY INSTRUCTIONS

READ ALL INSTRUCTIONS BEFORE YOU BEGIN. DO NOT JUMP AHEAD OF ANY STEP.

ASSEMBLY COMPLETED

