

Clear Acrylic U Shape Barrier Shield (w/ Flexible Connectors)

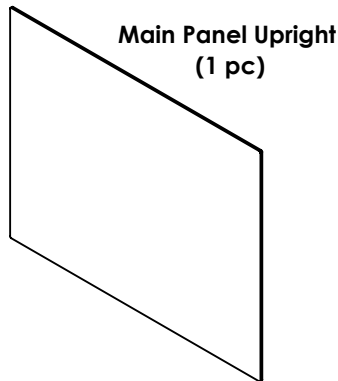
ASSEMBLY INSTRUCTIONS

READ ALL INSTRUCTIONS BEFORE YOU BEGIN. DO NOT JUMP AHEAD OF ANY STEP.

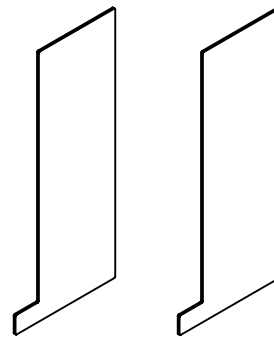
PARTS LIST:



Flexible Connector
(6 pcs)



Main Panel Upright
(1 pc)



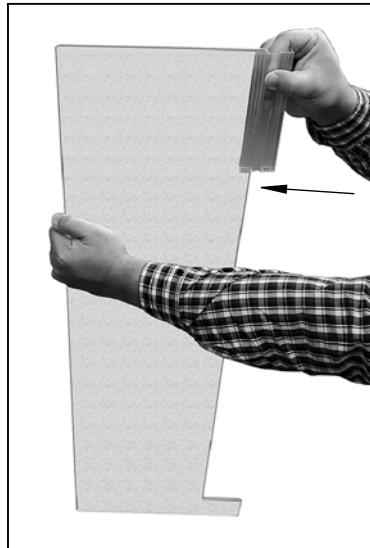
Side Panel Upright (2 pcs)

*NO TOOLS REQUIRED

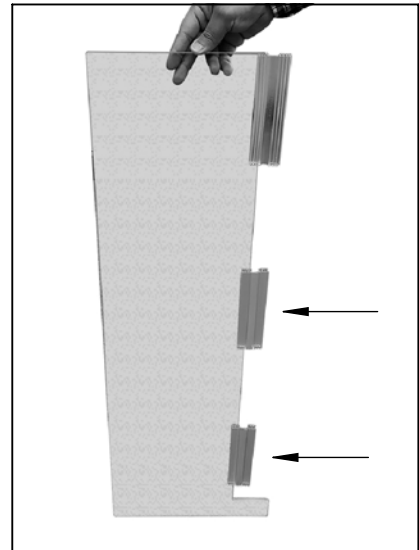
*TWO PERSON ASSEMBLY RECOMMENDED

STEP 1: Peel off the protective plastic film from both sides of Main Panel Upright & Side Panel Uprights.

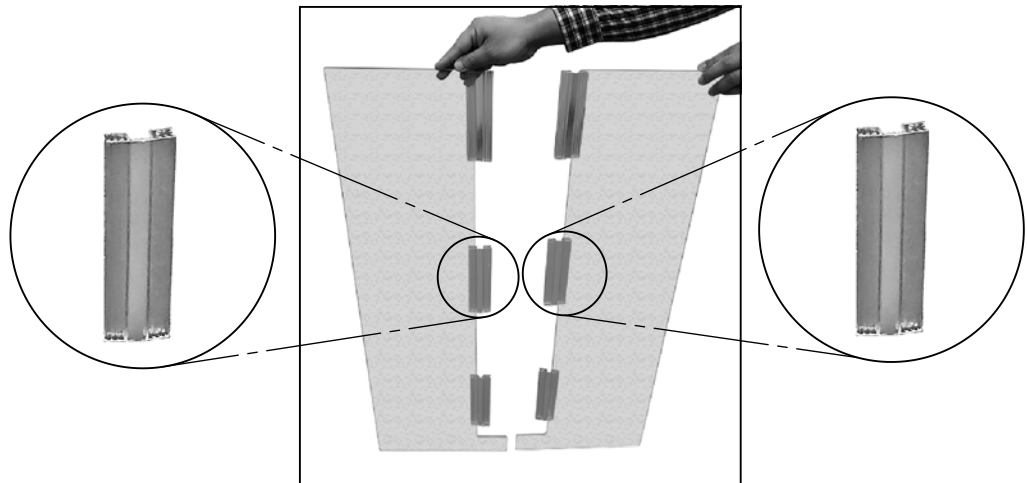
STEP 2: Stand up one of the Side Panel Uprights and push one of the Flexible Connectors onto the front of the Side Panel Upright.



STEP 3: Push the two other Flexible Connectors onto Side Panel Upright, spacing them out to the desired distance. Make sure all Flexible Connectors are installed the same way.



STEP 4: Repeat STEPS 2 & 3 for the other Side Panel Upright. The Flexible Connectors should be a mirror image of the connectors installed on the first Side Panel. Refer to close-up images at right for clarity on proper installation direction.

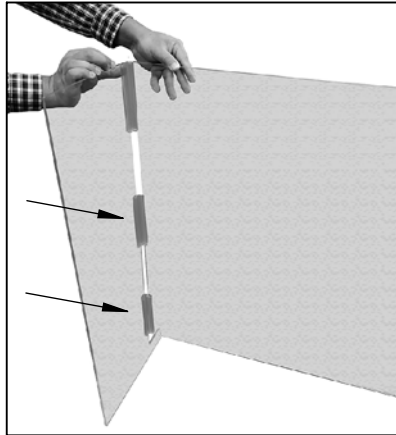


Clear Acrylic U Shape Barrier Shield (w/ Flexible Connectors)

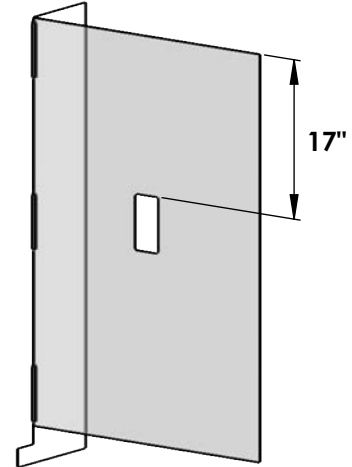
ASSEMBLY INSTRUCTIONS

READ ALL INSTRUCTIONS BEFORE YOU BEGIN. DO NOT JUMP AHEAD OF ANY STEP.

STEP 5: Push the Flexible Connectors from one of the assembled Side Panel Uprights onto one of the sides of the Main Panel Upright. **When connecting panels together, make sure the hinge portion of the Connectors is to the outside as shown in image at right.** Also ensure top edges of the Side Panel Upright and Main Panel Upright are flush with each other.



NOTE: For Item 12887, when attaching your Main Panel Upright to the Side Panel Uprights, make sure the top edge of the window in the middle of the Panel is 17" down from top edge of Panel.



STEP 6: Repeat STEP 5 for the other Side Panel Upright, connecting it to the other side of the Main Panel Upright.

STEP 7: Make sure all of the Flexible Connectors are pushed in and fully engaged with all panels, and the product is rested on a flat surface.

ASSEMBLY COMPLETED



12882 / 12883 / 12886

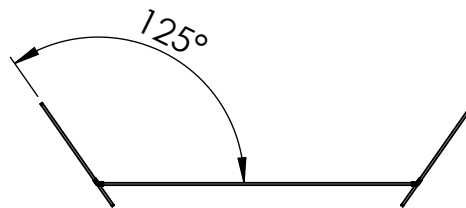


12884 / 12885



12887

NOTE: Side Panels are adjustable up to 125°. The flexible connectors allow Side Panels to be flared out, which increases the Shield width.



TOP VIEW

